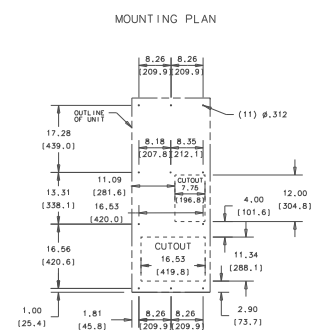
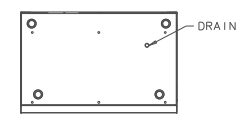
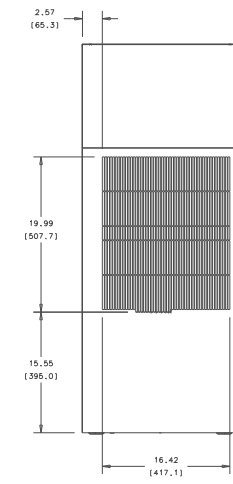
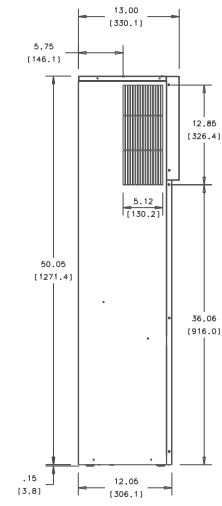
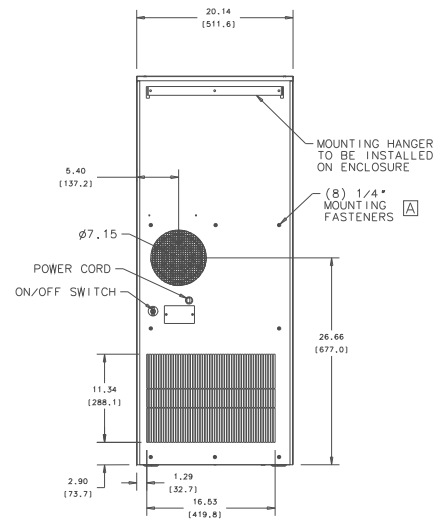
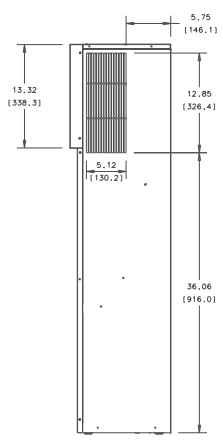
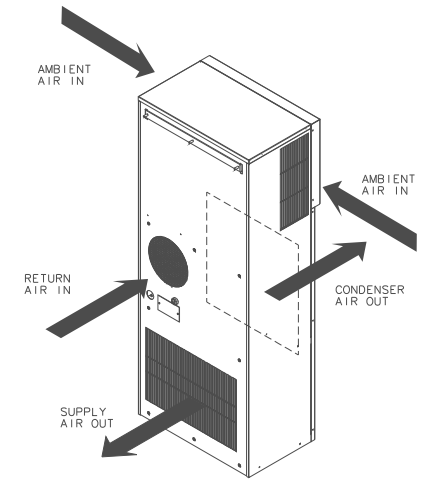


THIS DOCUMENT IS THE PROPERTY OF KOOLTRONIC, INC. AND CONTAINS PROPRIETARY AND CONFIDENTIAL INFORMATION WHICH MUST NOT BE DUPLICATED, USED OR DISCLOSED TO OTHERS, EXCEPT AS EXPRESSLY AUTHORIZED IN WRITING BY KOOLTRONIC, INC.

REVISIONS				
SYM	NOTICE	DESCRIPTION	DATE	APPROVED
-	ER 08/075	NEW DRAWING RELEASE	12/5/08	J.S
A	EC 15/077	WAS 1/4" CAGE NUTS	4/22/10	MEM



SCALE .0625=1

P/N GA27200A

ALL DIMENSIONS ARE IN INCHES. DIMENSIONS DESIGNATED MM ARE IN MILLIMETERS.				DRAWN: JERRY STEDNICK		DATE: 12/29/08	
UNLESS OTHERWISE SPECIFIED TOLERANCES NON-DECIMALATIVE.				CHECKED:			
TOL. ON	INCHES	MM	CHECKED	ENG.			
.XX	± .02	±		ENG.			
.XXX	± .010	±		MFG. ENG.			
ANGULAR	± 1/2°						
MATERIAL:				CODE IDENT. NO. SIZE		DWG. NO.	
UNIT: K2_A_C14DP50L				APPROVED:		D GA27200A	
				SCALE: 1/25=1		SHEET 1 OF 1	



GENERAL ARRANGEMENT

REV A