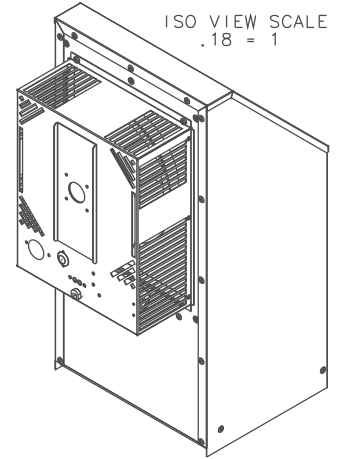
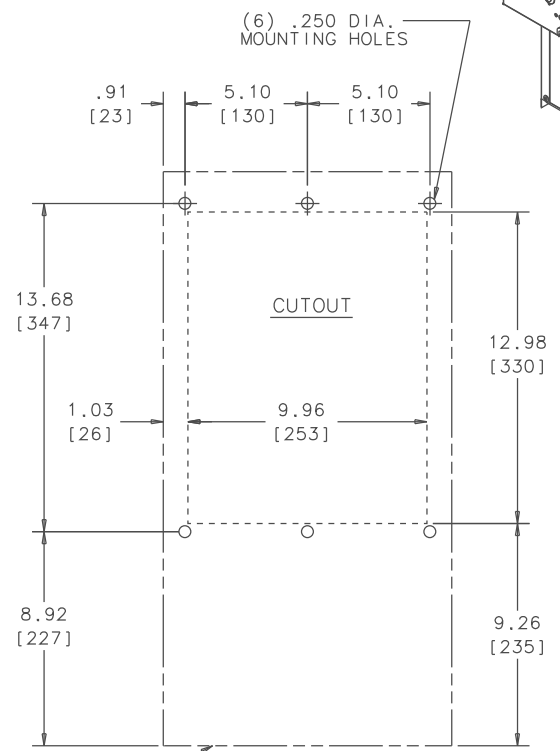
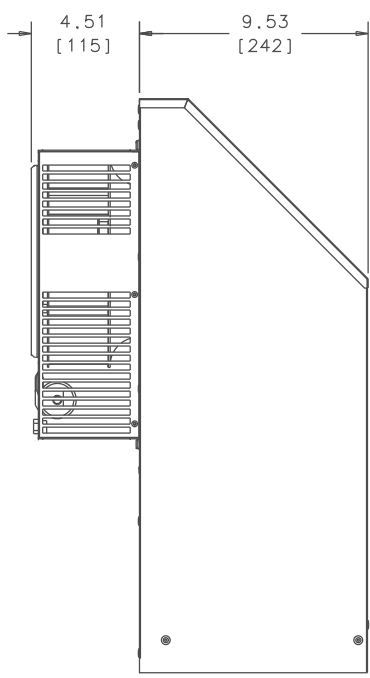
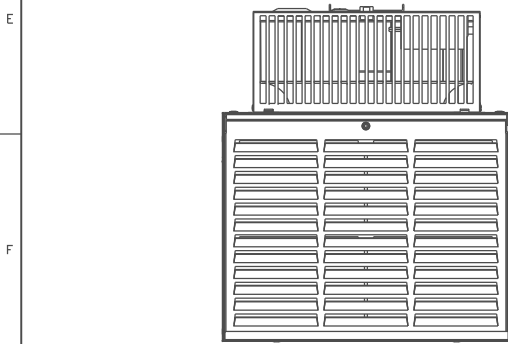
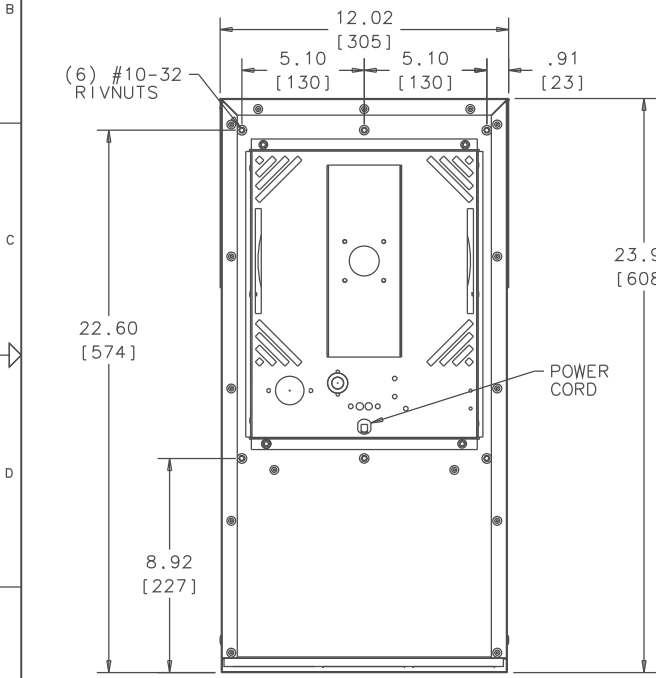
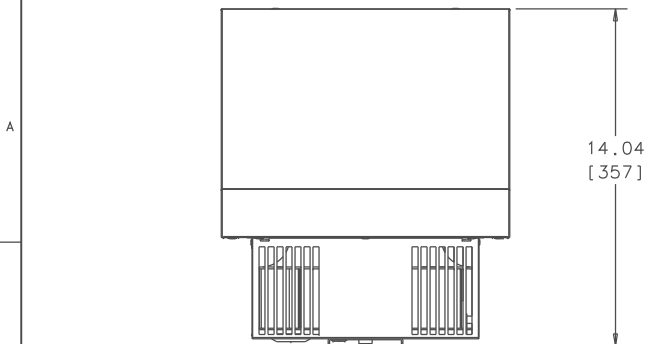


THIS DOCUMENT IS THE PROPERTY OF KOOLTRONIC, INC. AND CONTAINS PROPRIETARY AND CONFIDENTIAL INFORMATION WHICH MUST NOT BE DUPLICATED, USED OR DISCLOSED TO OTHERS, EXCEPT AS EXPRESSLY AUTHORIZED IN WRITING BY KOOLTRONIC, INC.

REVISIONS				
SYM	NOTICE	DESCRIPTION	DATE	APPROVED
-	ER 18/020	NEW DRAWING RELEASE	4/1/19	MEM/SDS



OUTLINE - FRONT OF UNIT  
MOUNTING PLAN

ALL DIMENSIONS ARE IN INCHES. DIMENSIONS DESIGNATED MM ARE IN MILLIMETERS.				DRAWN		DATE	
UNLESS OTHERWISE SPECIFIED TOLERANCES NON-ACCUMULATIVE				Mike Mc Crahan		4/1/19	
TOL. ON	INCHES	MM	CHECKED	Steve Schmierer		4/9/19	
.XX	± .02	±	ENG.	Ron Kaufman		4/20/19	
.XXX	± .010	±	MFG. ENG.				
ANGULAR	± 1/2 °						
MATERIAL				CODE IDENT. NO.		SIZE	
UNIT K_NP225FL & FLV				06223		C	
APPROVED				Dwg. No.		REV	
Jim Disler				GA32670A		-	
DATE 4/23/19				SCALE .25=1		SHEET 1 OF 1	



TITLE  
GENERAL ARRANGEMENT  
FILTER FAN KNP225FL