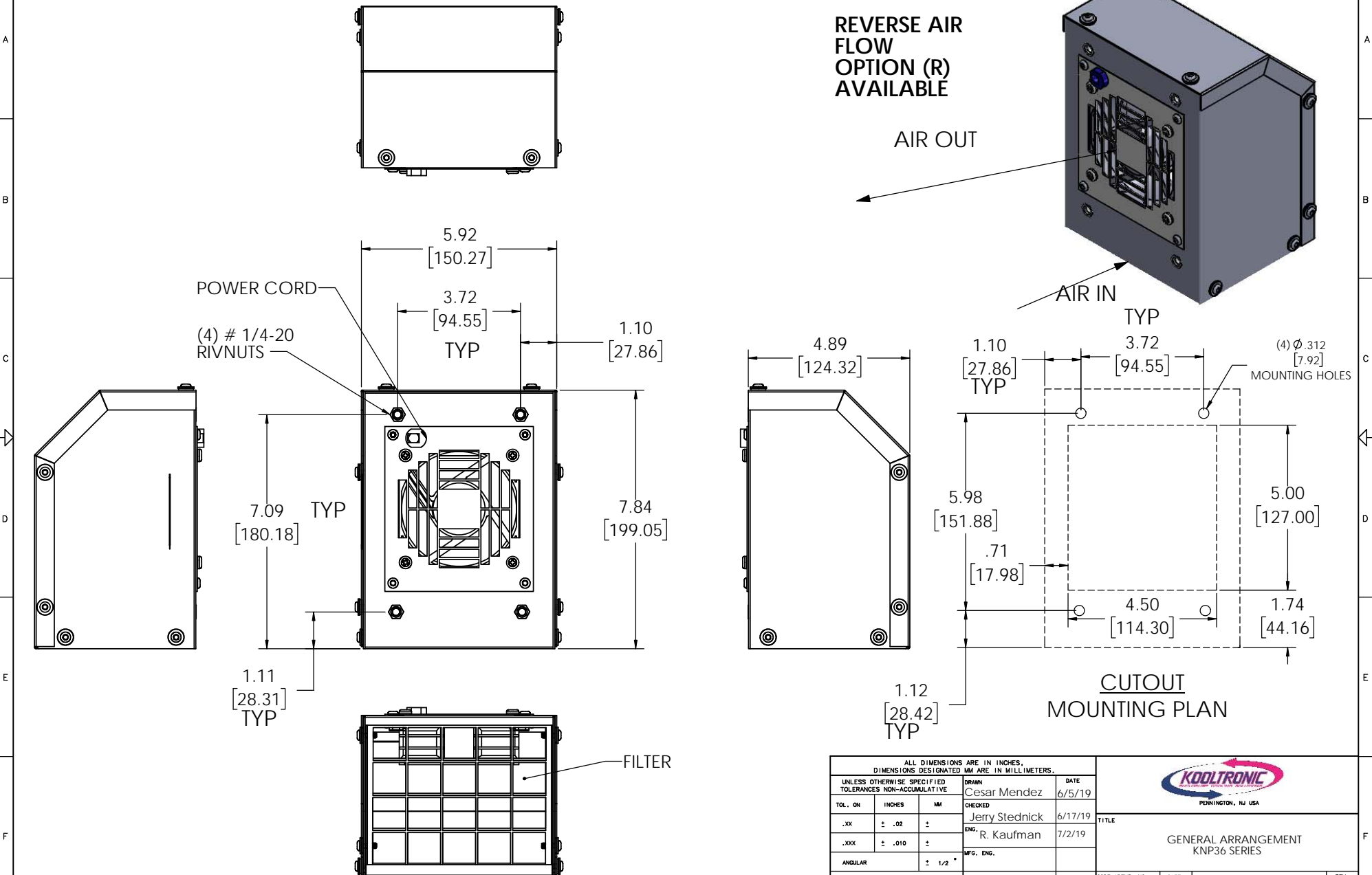


THIS DOCUMENT IS THE PROPERTY OF KOOLTRONIC, INC. AND CONTAINS PROPRIETARY AND CONFIDENTIAL INFORMATION WHICH MUST NOT BE DUPLICATED, USED OR DISCLOSED TO OTHERS, EXCEPT AS EXPRESSLY AUTHORIZED IN WRITING BY KOOLTRONIC, INC.

| REVISIONS | | | | |
|-----------|-----------|--------------------------------------|----------|----------|
| SYM | NOTICE | DESCRIPTION | DATE | APPROVED |
| - | ER 19/010 | NEW DRAWING RELEASE | | CM/JS |
| A | ER 19/012 | REVERSE AIR FLOW OPTION ADDED | 6/5/19 | CM |
| B | ER 20/157 | REMOVED FAN LINES FROM MOUNTING VIEW | 4/6/2020 | CM |



| UNLESS OTHERWISE SPECIFIED TOLERANCES NON-ACCUMULATIVE | | | DRW | DATE |
|--|--------------|----|----------------|---------|
| TOL. ON | INCHES | MM | Cesar Mendez | 6/5/19 |
| .XX | ± .02 | ± | Jerry Stednick | 6/17/19 |
| .XXX | ± .010 | ± | ENG R. Kaufman | 7/2/19 |
| ANGULAR | ± 1/2 ° | | MFG. ENG. | |
| MATERIAL | | | APPROVED | |
| UNIT | KNP36 SERIES | | BKKreeley | 7/18/19 |



PENNINGTON, NJ USA

TITLE: GENERAL ARRANGEMENT KNP36 SERIES

| | | | |
|-----------------|-----------|--------------|-----|
| CODE IDENT. NO. | SIZE | OWG. NO. | REV |
| 06223 | C | GA3270A | B |
| SCALE 1:2 | CAD. REF. | SHEET 1 OF 1 | |