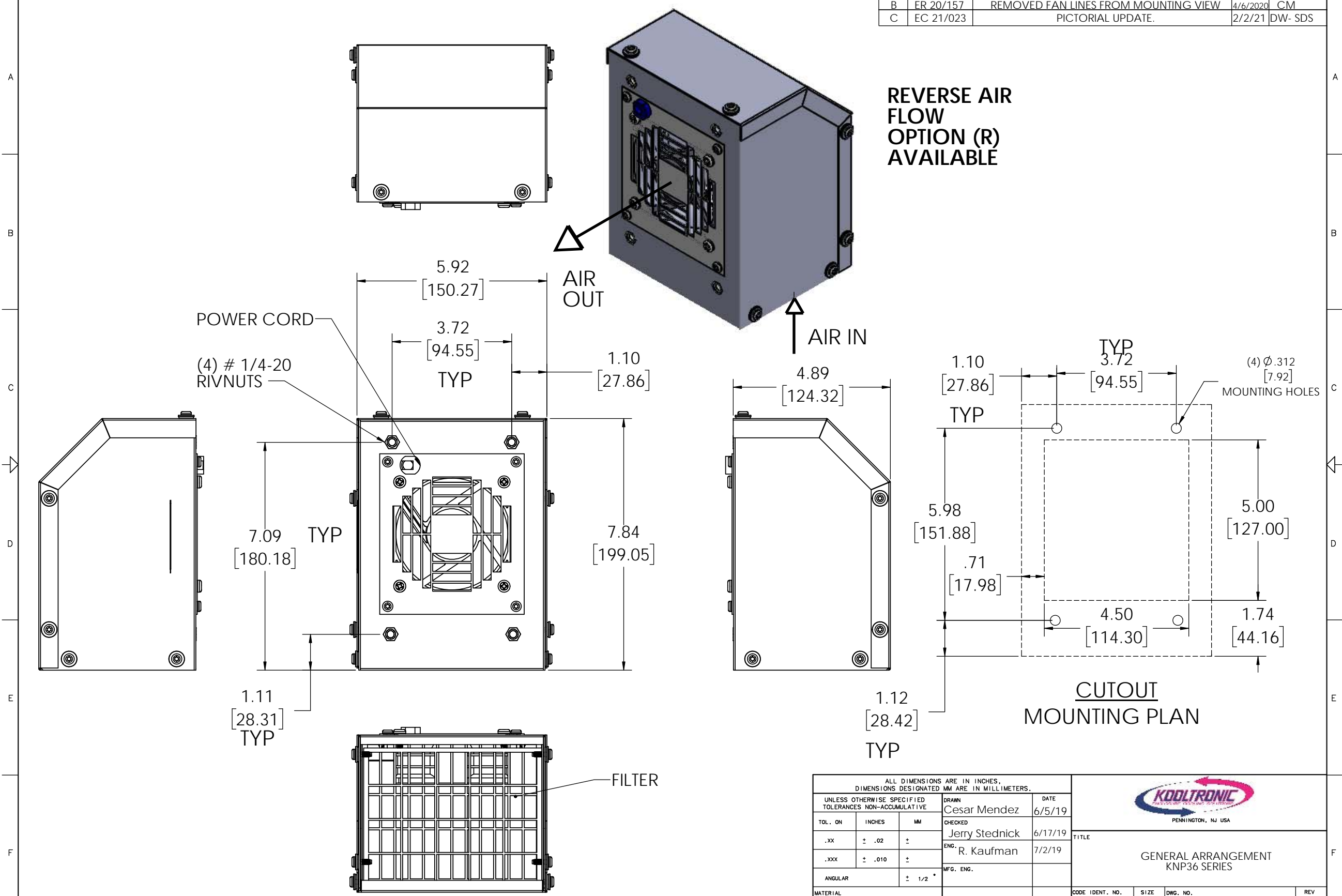



THIS DOCUMENT IS THE PROPERTY OF KOOLTRONIC, INC. AND CONTAINS PROPRIETARY AND CONFIDENTIAL INFORMATION WHICH MUST NOT BE DUPLICATED, USED OR DISCLOSED TO OTHERS, EXCEPT AS EXPRESSLY AUTHORIZED IN WRITING BY KOOLTRONIC, INC.

REVISIONS				
SYM	NOTICE	DESCRIPTION	DATE	APPROVED
-	ER 19/010	NEW DRAWING RELEASE	6/5/19	CM/JS
A	ER 19/012	REVERSE AIR FLOW OPTION ADDED	3/10/2020	CM
B	ER 20/157	REMOVED FAN LINES FROM MOUNTING VIEW	4/6/2020	CM
C	EC 21/023	PICTORIAL UPDATE.	2/2/21	DW- SDS



UNLESS OTHERWISE SPECIFIED TOLERANCES NON-ACCUMULATIVE			DRAWN		DATE	
TOL. ON	INCHES	MM	Cesar Mendez	6/5/19		
.XX	± .02	±	Jerry Stednick	6/17/19		
.XXX	± .010	±	ENG. R. Kaufman	7/2/19		
ANGULAR	± 1/2°		MFG. ENG.			
MATERIAL			APPROVED			
UNIT	KNP36 SERIES		BKKreeley	7/18/19		



Kooltronic
PENNINGTON, NJ USA

TITLE: GENERAL ARRANGEMENT KNP36 SERIES

CODE IDENT. NO.	SIZE	DWG. NO.	REV
06223	C	GA3270A	C
SCALE 1:2	CAD. REF.	SHEET 1 of 1	