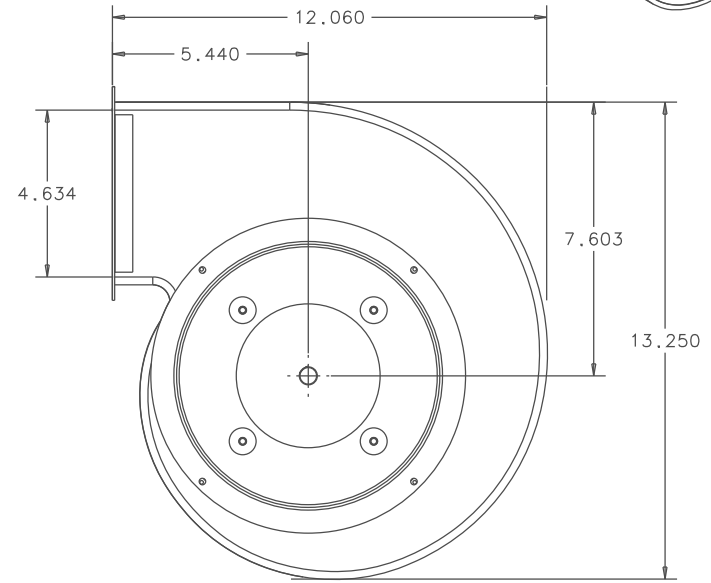
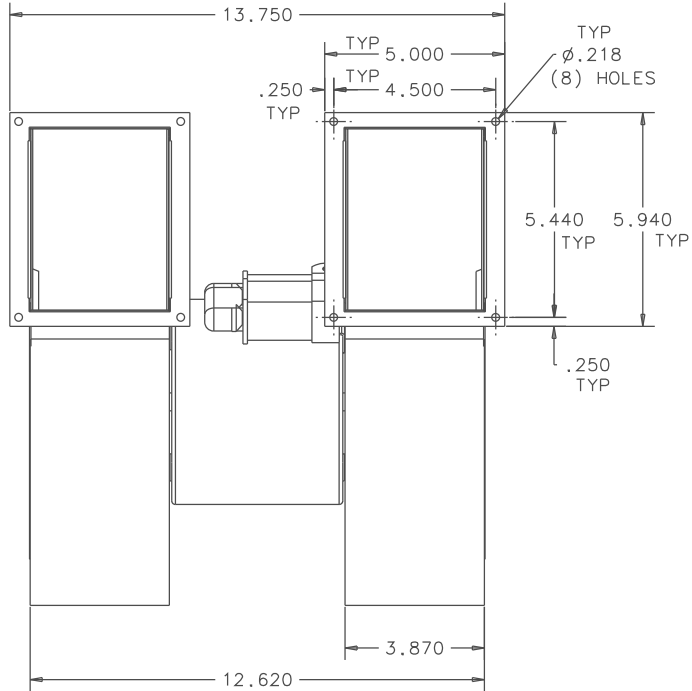
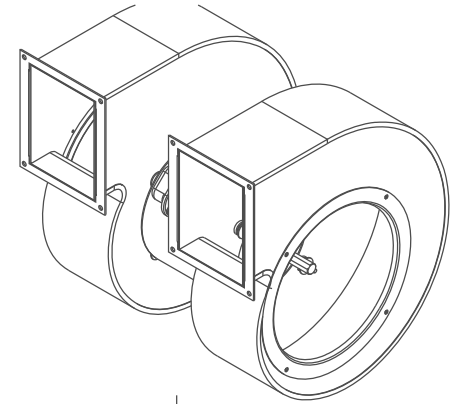


THIS DOCUMENT IS THE PROPERTY OF KOOLTRONIC, INC. AND CONTAINS PROPRIETARY AND CONFIDENTIAL INFORMATION WHICH MUST NOT BE DUPLICATED, USED OR DISCLOSED TO OTHERS, EXCEPT AS EXPRESSLY AUTHORIZED IN WRITING BY KOOLTRONIC, INC.

REVISIONS				
SYM	NOTICE	DESCRIPTION	DATE	APPROVED
-	EC 17/662	NEW DRAWING RELEASE	1/5/18	SDS/JS



UNLESS OTHERWISE SPECIFIED DIMENSIONS DESIGNATED MM ARE IN MILLIMETERS.				DRAWN		DATE
TOLERANCES NON-ACCUMULATIVE				Steve Schmierer		1/5/18
TOL. ON	INCHES	MM	CHECKED	JERRY STEDNICK		1/8/18
.XX	± .02	±	ENG.	Ron Kaufman		1/8/18
.XXX	± .010	±	MFG. ENG.			
ANGULAR	± 1/2 °					
MATERIAL				CODE IDENT. NO.	SIZE	DWG. NO.
UNIT KBB80-80				APPROVED	06223	C GA49340A
Joe Milko				1/8/18	SCALE .375"=1"	CAD. REF.
				SHEET 1 OF 1		REV -



TITLE  
GENERAL ARRANGEMENT  
KBB80-80