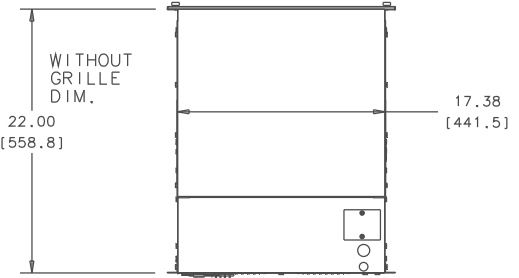
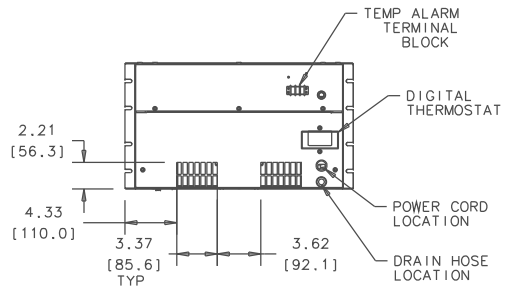
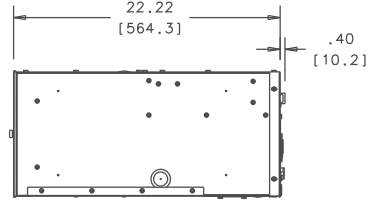
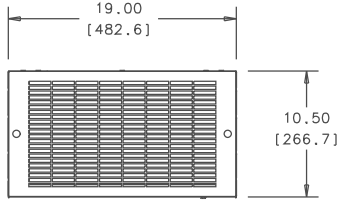
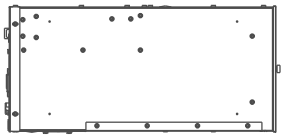
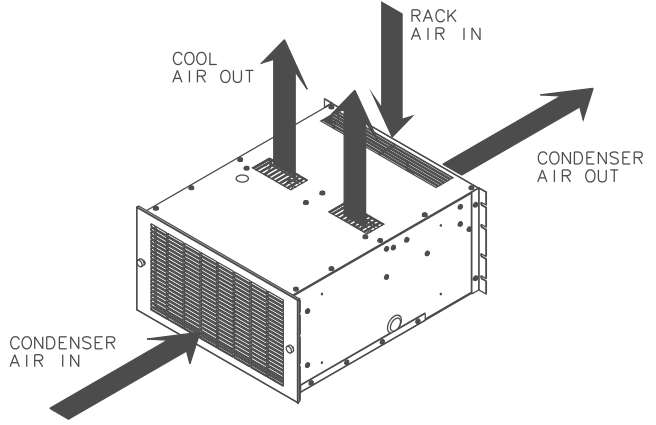
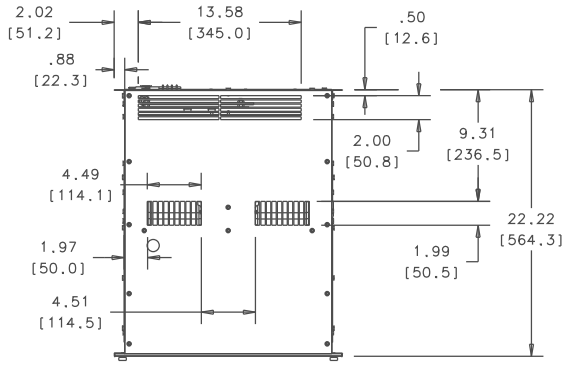
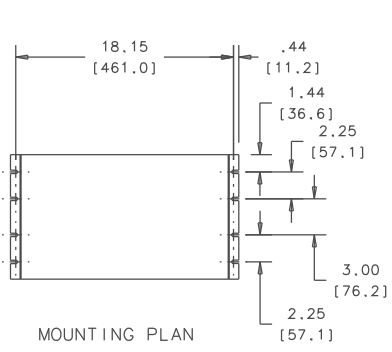


THIS DOCUMENT IS THE PROPERTY OF KOOLTRONIC, INC. AND CONTAINS PROPRIETARY AND CONFIDENTIAL INFORMATION WHICH MUST NOT BE DUPLICATED, USED OR DISCLOSED TO OTHERS, EXCEPT AS EXPRESSLY AUTHORIZED IN WRITING BY KOOLTRONIC, INC.

REVISIONS				
SYM	NOTICE	DESCRIPTION	DATE	APPROVED
-	EC 17/370	NEW DRAWING RELEASE	9/1/17	JS/SDS

A  
B  
C  
D  
E  
F



ALL DIMENSIONS ARE IN INCHES. DIMENSIONS DESIGNATED MM ARE IN MILLIMETERS.			DRAWN: JERRY STEDNICK DATE: 9/1/17	
UNLESS OTHERWISE SPECIFIED TOLERANCES NON-ACCUMULATIVE			CHECKED: Steve Schmierer DATE: 9/7/17	
TOL. ON	INCHES	MM	ENG.: Sepehr Sabeti DATE: 9/13/17	
.XX	± .02	±	MFG. ENG.	
.XXX	± .010	±		
ANGULAR	± 1/2 °			
MATERIAL:			CODE IDENT. NO.: 06223	SIZE: C
UNIT: K_A4C3.5H9R			DATE: 9/20/17	Dwg. NO.: GA5417H9A
APPROVED: Joe Milko			SCALE: 1/25 = 1	REV: -
			SHEET 1 OF 1	



GENERAL ARRANGEMENT  
H9 WITH DIXELL

1 2 3 4 5 6 7 8