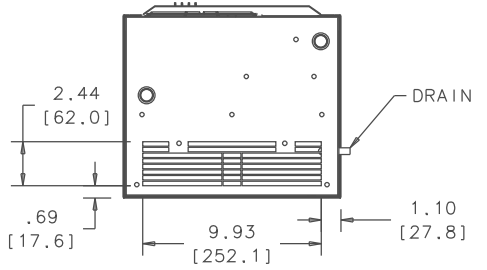
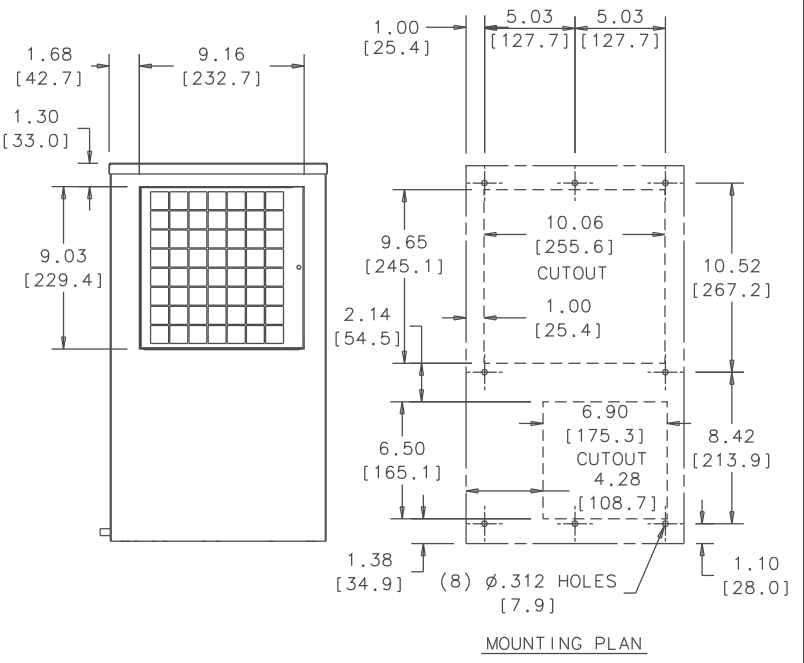
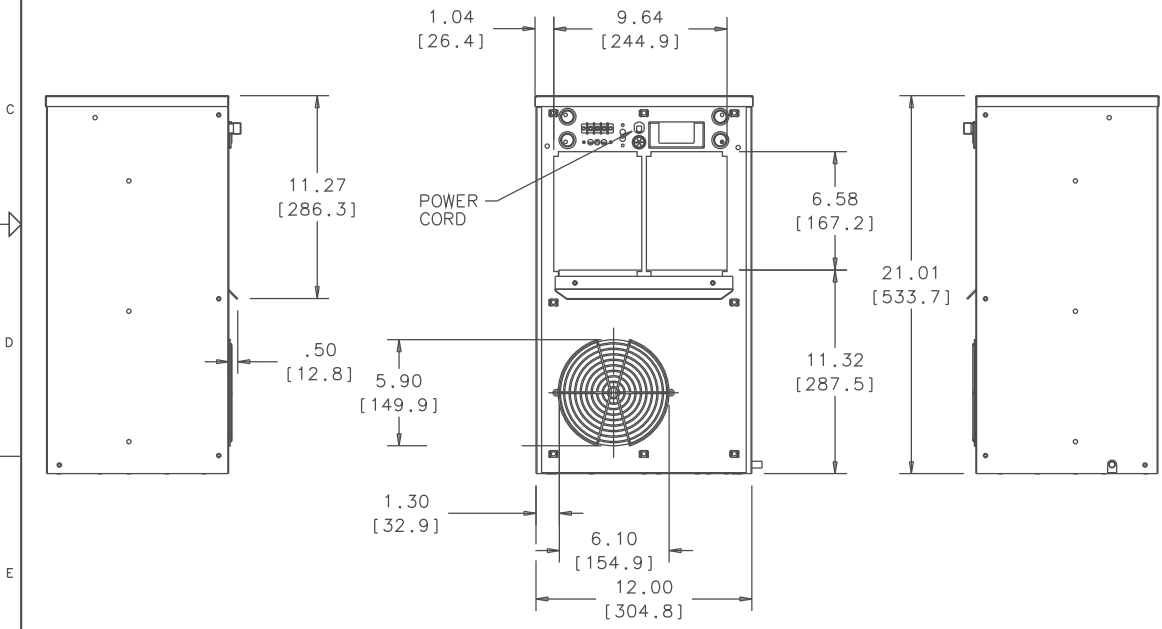
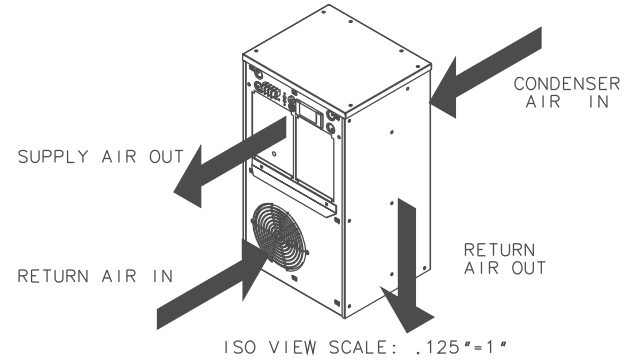
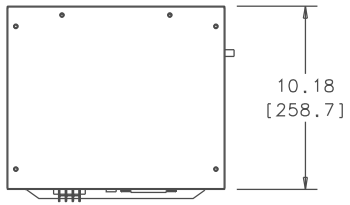


THIS DOCUMENT IS THE PROPERTY OF KOOLTRONIC, INC. AND CONTAINS PROPRIETARY AND CONFIDENTIAL INFORMATION WHICH MUST NOT BE DUPLICATED, USED OR DISCLOSED TO OTHERS, EXCEPT AS EXPRESSLY AUTHORIZED IN WRITING BY KOOLTRONIC, INC.

REVISIONS				
SYM	NOTICE	DESCRIPTION	DATE	APPROVED
—	EC 13/373	NEW DRAWING RELEASE.	2/27/14	MEM/JS
A	EC 15/101	REVISED AIR FLOW ARROWS.	3/2/15	DW—



ALL DIMENSIONS ARE IN INCHES. DIMENSIONS DESIGNATED MM ARE IN MILLIMETERS.					
UNLESS OTHERWISE SPECIFIED TOLERANCES NON-ACCUMULATIVE				PENNINGTON, NJ USA	
DRAWN		DATE		GENERAL ARRANGEMENT KNA4C3DP21L With Digital Thermostat	
Mike Mc Crahan		2/27/14			
CHECKED		DATE			
JERRY STEDNICK		4/7/14			
ENG.		DATE		TITLE	
Ron Kaufman		4/15/14		GENERAL ARRANGEMENT KNA4C3DP21L With Digital Thermostat	
MFG. ENG.		DATE		CODE IDENT. NO.	
ANGULAR		± 1/2 °		06223	
MATERIAL		DATE		SIZE	
UNIT		APPROVED		DWG. NO.	
KNA4C3DP21L		Joe Milko		GA55003A	
SCALE .1875"=1"		4/23/14		REV	
CAD. REF.		SHEET		A	
		1 OF 1			