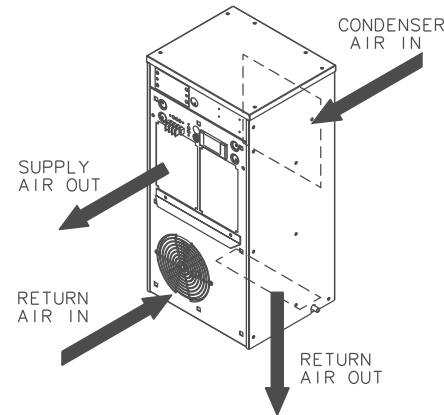
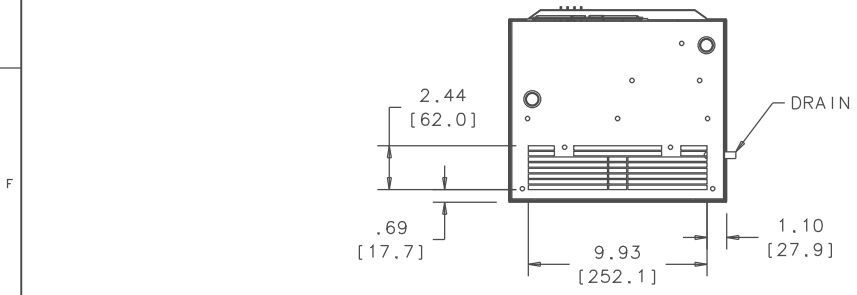
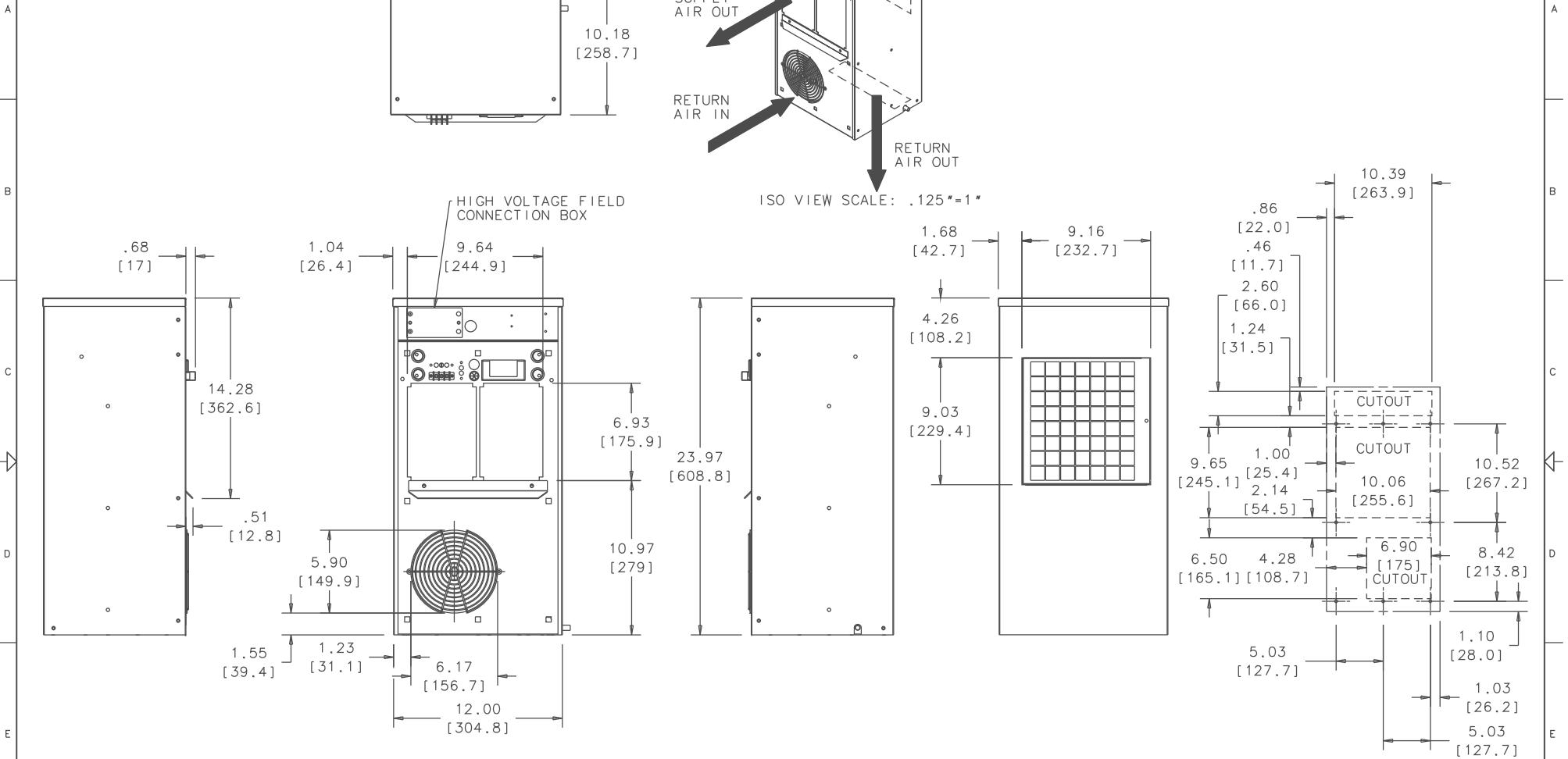


THIS DOCUMENT IS THE PROPERTY OF KOOLTRONIC, INC. AND CONTAINS PROPRIETARY AND CONFIDENTIAL INFORMATION WHICH MUST NOT BE DUPLICATED, USED OR DISCLOSED TO OTHERS, EXCEPT AS EXPRESSLY AUTHORIZED IN WRITING BY KOOLTRONIC, INC.

REVISIONS				
SYM	NOTICE	DESCRIPTION	DATE	APPROVED
-	EC 13/374	NEW DRAWING RELEASE.	3/31/14	MEM/



ISO VIEW SCALE: .125"=1"



TOLERANCES				DRAWN		DATE	
TOL. ON	INCHES	MM	UNLESS OTHERWISE SPECIFIED TOLERANCES NON-ACCUMULATIVE	DRYAN	DATE		
.XX	± .02	±		Mike Mc Crohan	3/31/14		
.XXX	± .010	±		Steve Schmierer	4/25/14		
				Ron Kaufman	5/2/14		
ANGULAR				MFG. ENG.			
						± 1/2°	
MATERIAL	SEE BOM						
UNIT	K_NA4C3DP24L			APPROVED	5/5/14		
				Joe Milko			

KOOLTRONIC, INC.
 PENNINGTON, NJ USA

TITLE: GENERAL ARRANGEMENT
 K_NA4C3DP24L

CODE IDENT. NO.	SIZE	DWG. NO.	REV
06223	C	GA55004A	-
SCALE: 1/8"=1"	CAD. REF.	SHEET 1 OF 1	