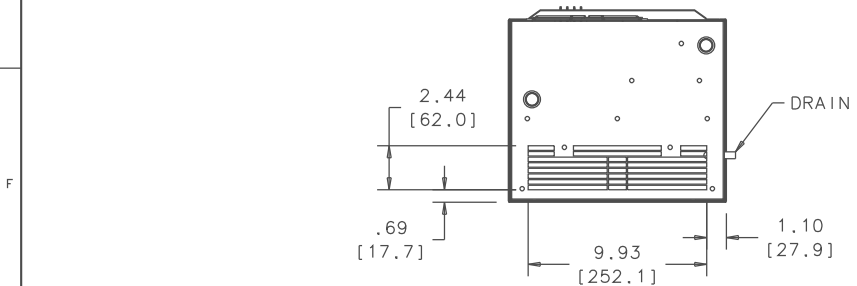
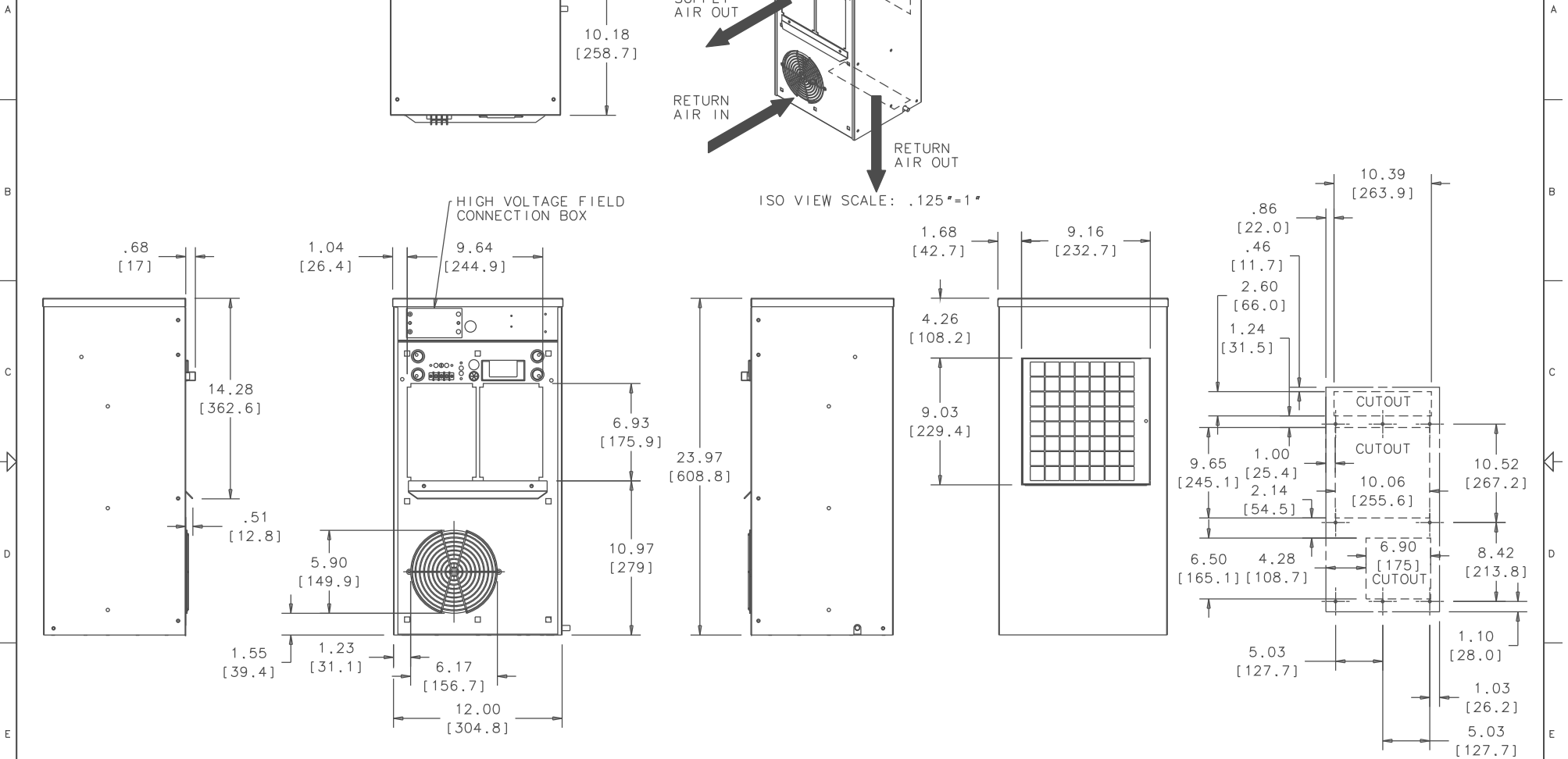
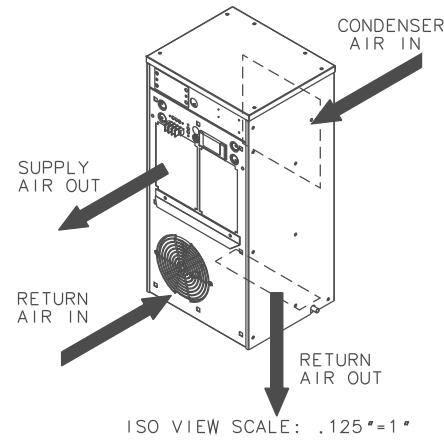


THIS DOCUMENT IS THE PROPERTY OF KOOLTRONIC, INC. AND CONTAINS PROPRIETARY AND CONFIDENTIAL INFORMATION WHICH MUST NOT BE DUPLICATED, USED OR DISCLOSED TO OTHERS, EXCEPT AS EXPRESSLY AUTHORIZED IN WRITING BY KOOLTRONIC, INC.

REVISIONS				
SYM	NOTICE	DESCRIPTION	DATE	APPROVED
-	EC 13/374	NEW DRAWING RELEASE.	3/31/14	MEM/



ALL DIMENSIONS ARE IN INCHES. DIMENSIONS DESIGNATED MM ARE IN MILLIMETERS.			
UNLESS OTHERWISE SPECIFIED TOLERANCES NON-ACCUMULATIVE		DATE	
TOL. ON	INCHES	MM	
.XX	± .02	±	
.XXX	± .010	±	
ANGULAR	± 1/2°		
MATERIAL	SEE BOM		
UNIT	K3NA4C3DP24L		
DRAWN	Mike Mc Crohan	DATE	3/31/14
CHECKED	Steve Schmierer	DATE	4/25/14
ENG.	Ron Kaufman	DATE	5/2/14
MFG. ENG.			
APPROVED	Joe Milko	DATE	5/5/14

KOOLTRONIC, INC.
PENNINGTON, NJ USA

TITLE
**GENERAL ARRANGEMENT
K3NA4C3DP24L**

CODE IDENT. NO.	SIZE	DWG. NO.	REV
06223	C	GA55004A	-
SCALE: 1/8"=1"	CAD. REF.	SHEET 1 OF 1	