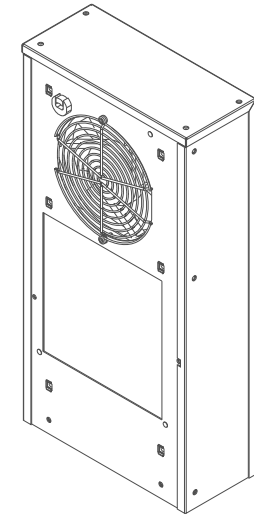
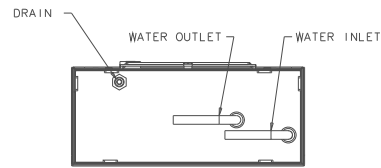
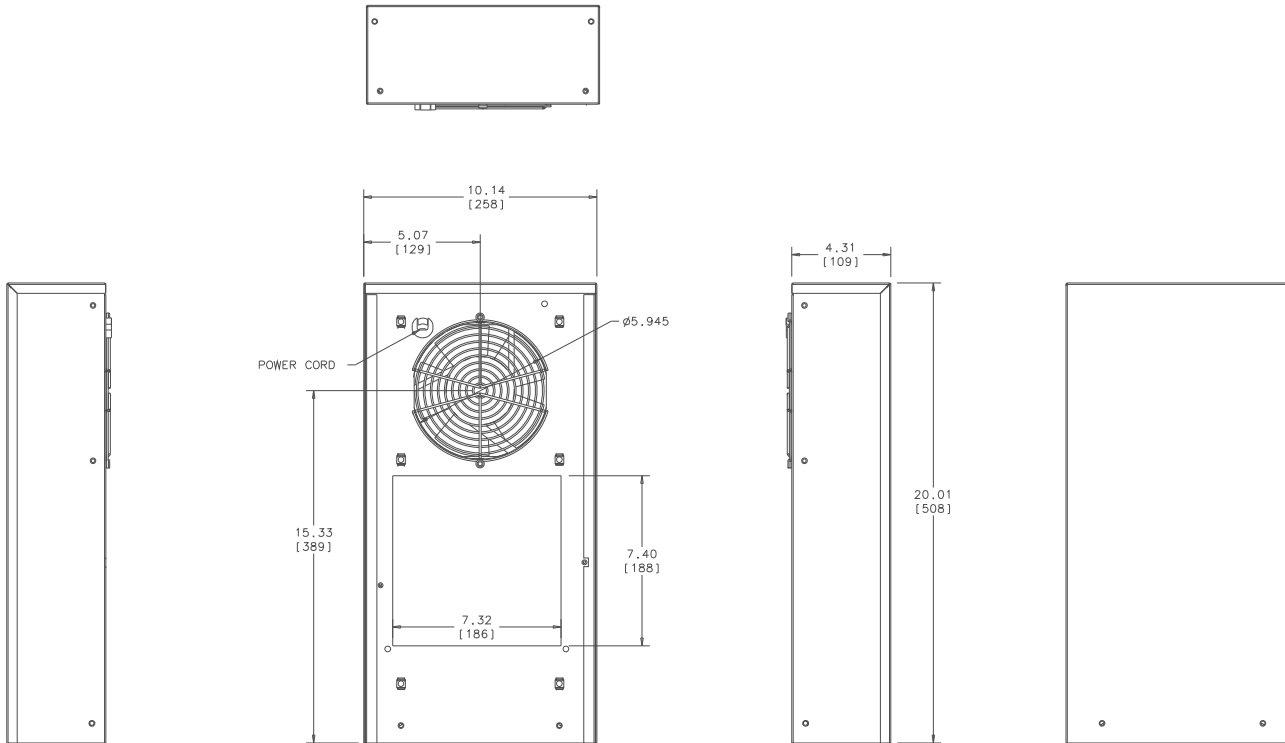
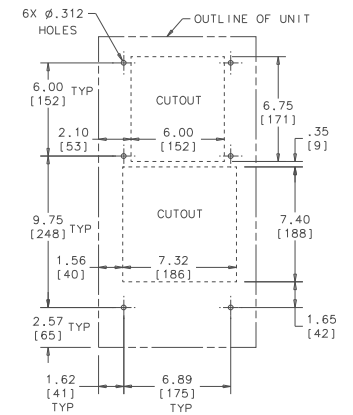


THIS DOCUMENT IS THE PROPERTY OF KOOLTRONIC, INC. AND CONTAINS PROPRIETARY AND CONFIDENTIAL INFORMATION WHICH MUST NOT BE DUPLICATED, USED OR DISCLOSED TO OTHERS, EXCEPT AS EXPRESSLY AUTHORIZED IN WRITING BY KOOLTRONIC, INC.

REVISIONS		DATE	APPROVED
SYM	NOTICE	DESCRIPTION	
-	ER 11/087	NEW DRAWING RELEASE	4/2/12 JS



MOUNTING PLAN



ALL DIMENSIONS ARE IN INCHES. DIMENSIONS DESIGNATED <b>M</b> ARE IN MILLIMETERS.				KOOLTRONIC, INC.	
UNLESS OTHERWISE SPECIFIED TOLERANCES: NON-CRITICAL:		DESIGN	DATE	PENNSYLVANIA, US, USA	
.XX : .02 :		CHECKED	4/2/12		
.XXX : .010 :		DRG	7/13/12	TITLE GENERAL ARRANGEMENT	
ANGULAR : 1/2 °		ENG			
MATERIAL			CODE IDENT. NO.	SIZE	DWG. NO.
UNIT			06223	D	GA710020A
APPROVED			SCALE	CAD. REF.	REV
Joe M/Bruce K			3/7=1		-
				SHEET	1 OF 1