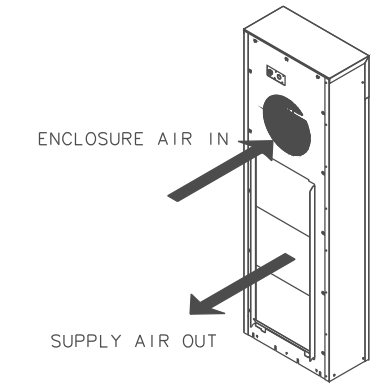


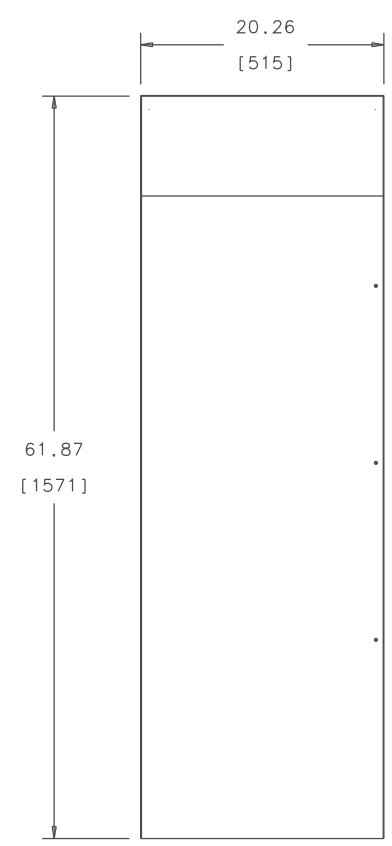
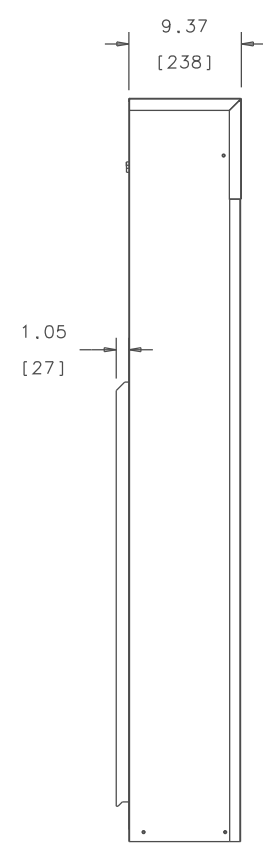
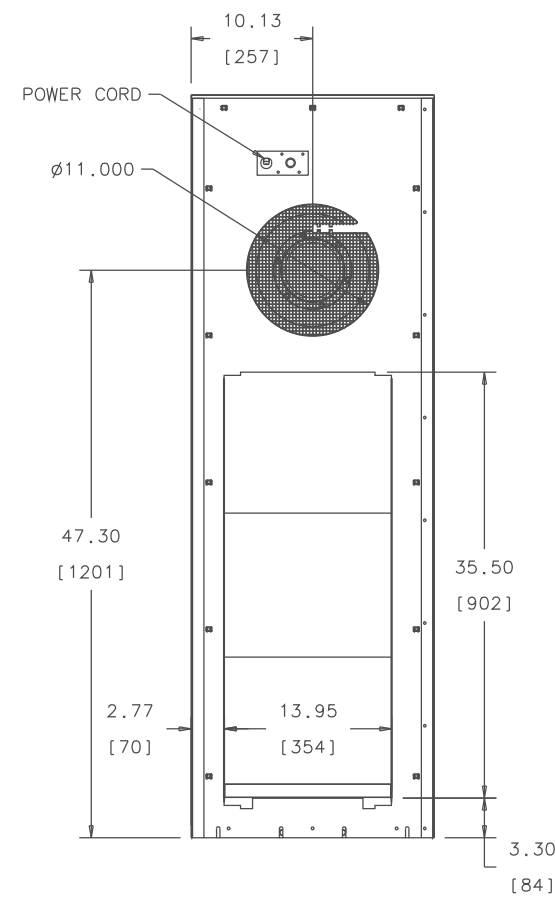
THIS DOCUMENT IS THE PROPERTY OF KOOLTRONIC, INC. AND CONTAINS PROPRIETARY AND CONFIDENTIAL INFORMATION WHICH MUST NOT BE DUPLICATED, USED OR DISCLOSED TO OTHERS, EXCEPT AS EXPRESSLY AUTHORIZED IN WRITING BY KOOLTRONIC, INC.

REVISIONS				
SYM	NOTICE	DESCRIPTION	DATE	APPROVED
-	ER 11/062	NEW DRAWING RELEASE	10/18/11	JS

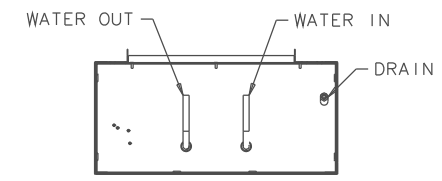
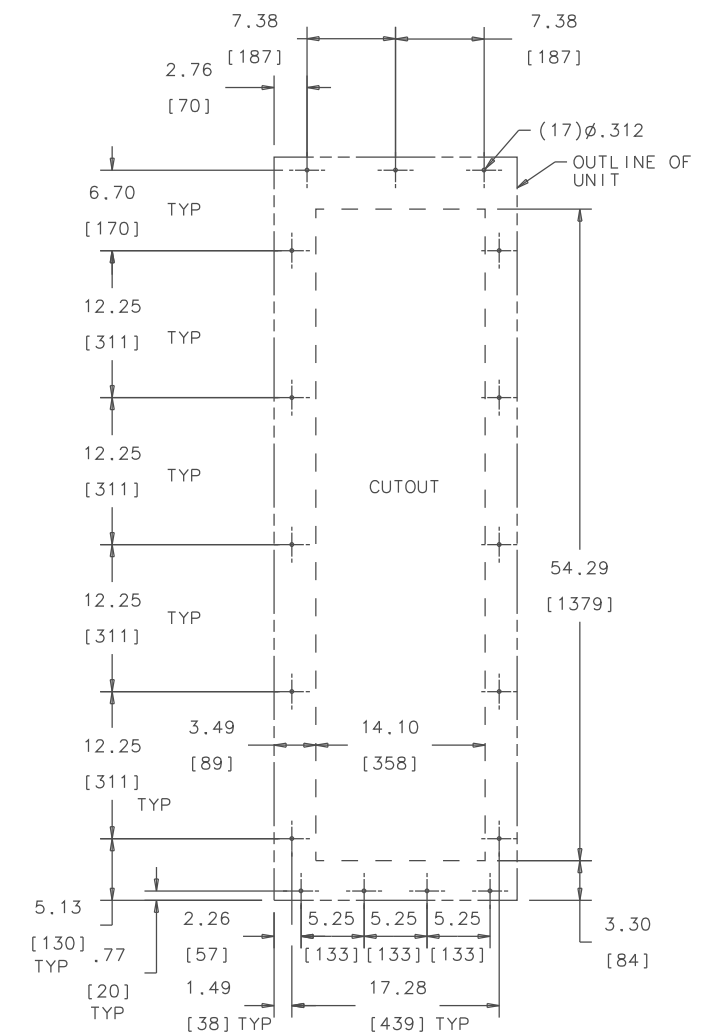


(*W* OPTION)
THERMOSTAT
ACCESS

(*B* & *D* OPTION)
THERMOSTAT
ACCESS



MOUNTING PLAN



DIMENSIONS DESIGNATED IN INCHES, UNLESS OTHERWISE SPECIFIED. DIMENSIONS DESIGNATED IN MILLIMETERS, UNLESS OTHERWISE SPECIFIED.			
TOL.	INCHES	MM	
.xx	± .02	±	
.xxx	± .010	±	
ANGULAR	± 1/2 °		

DRAWN JERRY STEDNICK 8/23/11		DATE	
CHECKED Steve Schmierer 9/29/11		DATE	
ENG. Ron Kaufman 6/4/12		DATE	
MFG. ENG.			
MATERIAL		TITLE GENERAL ARRANGEMENT	
UNIT K_NHE60	APPROVED Joe M/Bruce K 6/4/12	CODE IDENT. NO. 06223	SIZE D
		DWG. NO. GA710060A	REV -
		SCALE .125=1	SHEET 1 of 1

