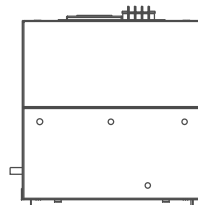
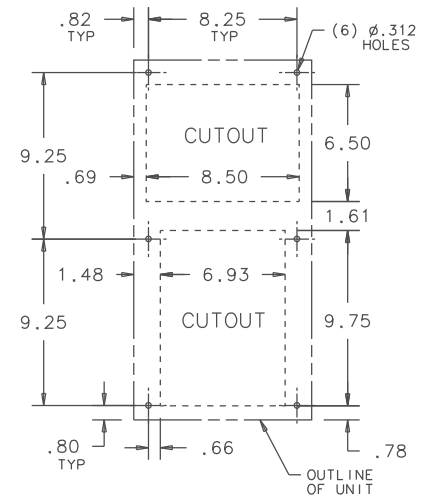
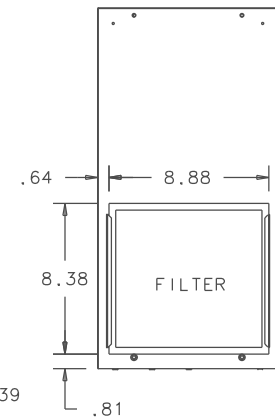
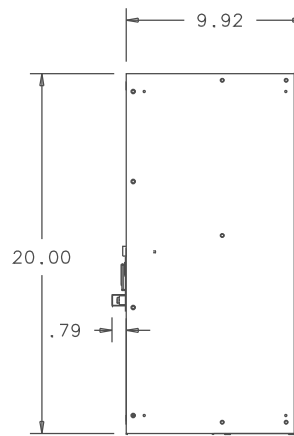
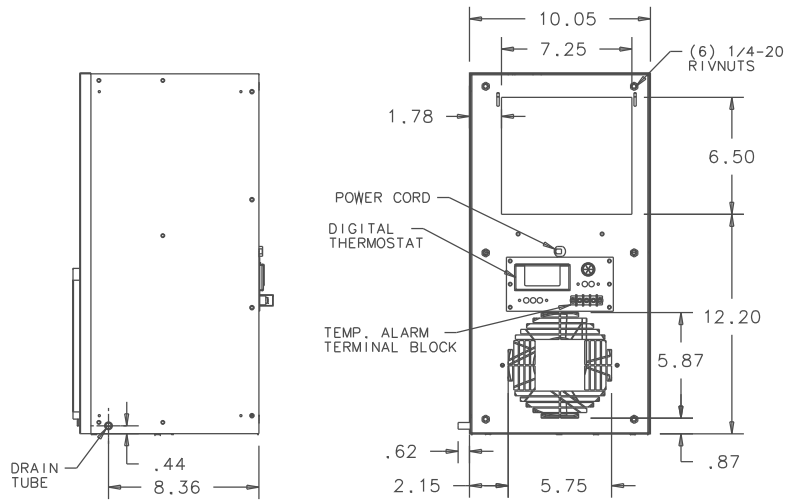
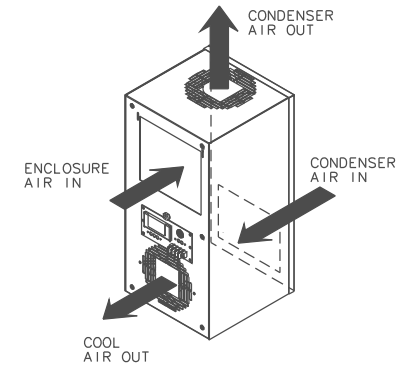
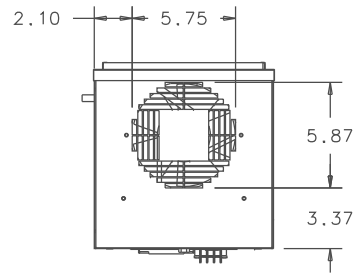


THIS DOCUMENT IS THE PROPERTY OF KOOLTRONIC, INC. AND CONTAINS PROPRIETARY AND CONFIDENTIAL INFORMATION WHICH MUST NOT BE DUPLICATED, USED OR DISCLOSED TO OTHERS, EXCEPT AS EXPRESSLY AUTHORIZED IN WRITING BY KOOLTRONIC, INC.

REVISIONS				
SYM	NOTICE	DESCRIPTION	DATE	APPROVED
-	EC 17/556	NEW DRAWING RELEASE	1/15/18	JS/SDS



ALL DIMENSIONS ARE IN INCHES. DIMENSIONS DESIGNATED MM ARE IN MILLIMETERS.					
UNLESS OTHERWISE SPECIFIED TOLERANCES NON-ACCUMULATIVE		DRAWN	JERRY STEDNICK	DATE	1/15/18
TOL. ON	INCHES	MM	CHECKED	Steve Schmierer	1/15/18
.XX	± .02	±	ENG.	Ron Kaufman	1/16/18
.XXX	± .010	±	MFG. ENG.		
ANGULAR	± 1/2°				
MATERIAL			CODE IDENT. NO.	SIZE	DWG. NO.
			06223	C	GAB007A
UNIT			APPROVED	SCALE	REV
KA4C2.5NML W/D1XELL			Joe Milko	1/16/18	1875=1
				CAD. REF.	SHEET 1 OF 1

GENERAL ARRANGEMENT