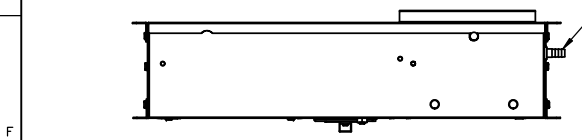
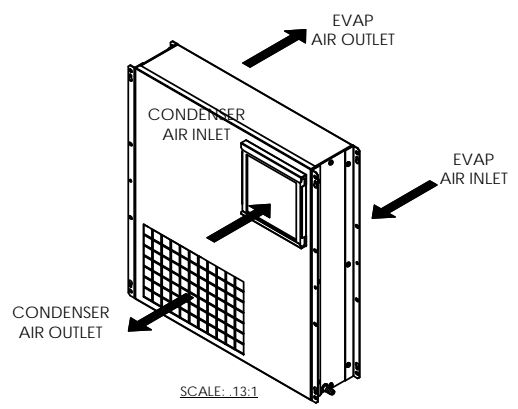
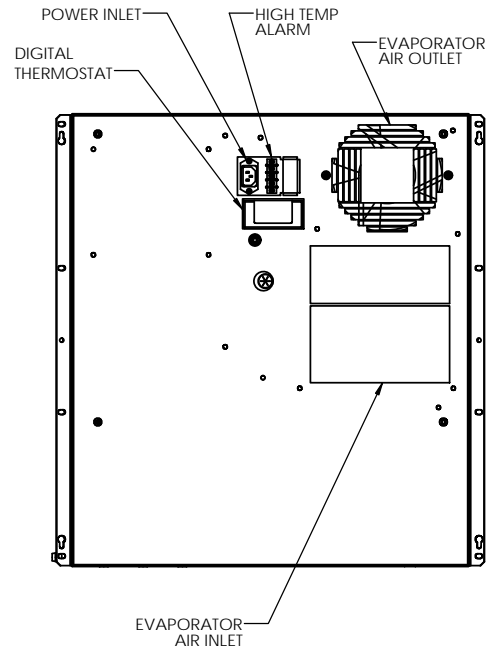
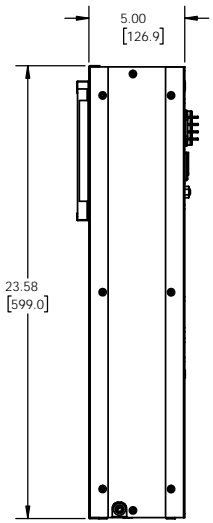
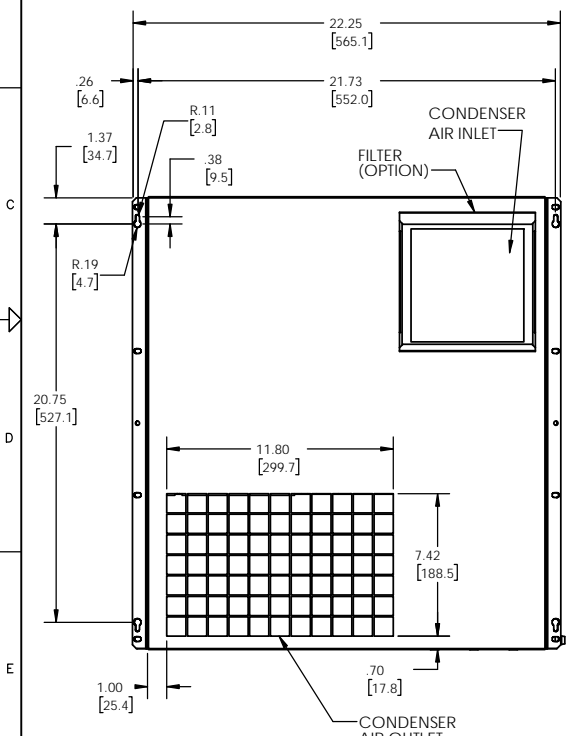
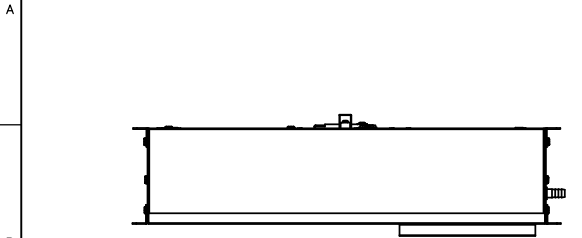



THIS DOCUMENT IS THE PROPERTY OF KOOLTRONIC, INC. AND CONTAINS PROPRIETARY AND CONFIDENTIAL INFORMATION WHICH MUST NOT BE DUPLICATED, USED OR DISCLOSED TO OTHERS, EXCEPT AS EXPRESSLY AUTHORIZED IN WRITING BY KOOLTRONIC, INC.

REVISIONS				
SYM	NOTICE	DESCRIPTION	DATE	APPROVED
-	ER 20/059	NEW DRAWING RELEASE	12/09/20	SF/SDS
A	EC 21/097	REMOVE CUTOUT	3/5/21	RJB/JS
B	EC 21/131	UPDATE DRAWING, ADDED DIGITAL THERMOSTAT	4/6/21	JS/SDS



NOTE: FOR MOUNTING PLAN, SEE DRAWING GA201924-M

UNLESS OTHERWISE SPECIFIED TOLERANCES NON-ACCUMULATIVE			DRAWN	S. FIELDING	DATE	12/09/20	 PENNINGTON, NJ USA		
TOL. ON	INCHES	MM	CHECKED	Steve Schmierer	12/22/20	ENG.			
.XX	± .02	±	ENG.	Sepher Sabeti	12/22/20	MFG. ENG.	GENERAL ARRANGEMENT		
.XXX	± .010	±				K2A4C2DSP23L			
ANGULAR	± 1/2°								
MATERIAL	SEE BOM					CODE IDENT. NO.	SIZE	OWG. NO.	REV
UNIT	K2A4C2DSP23L		APPROVED	BKreeley	12/31/20	06223	C	GAP4006-1A	B
						SCALE	:2:1	CAD. REF.	SHEET 1 of 1