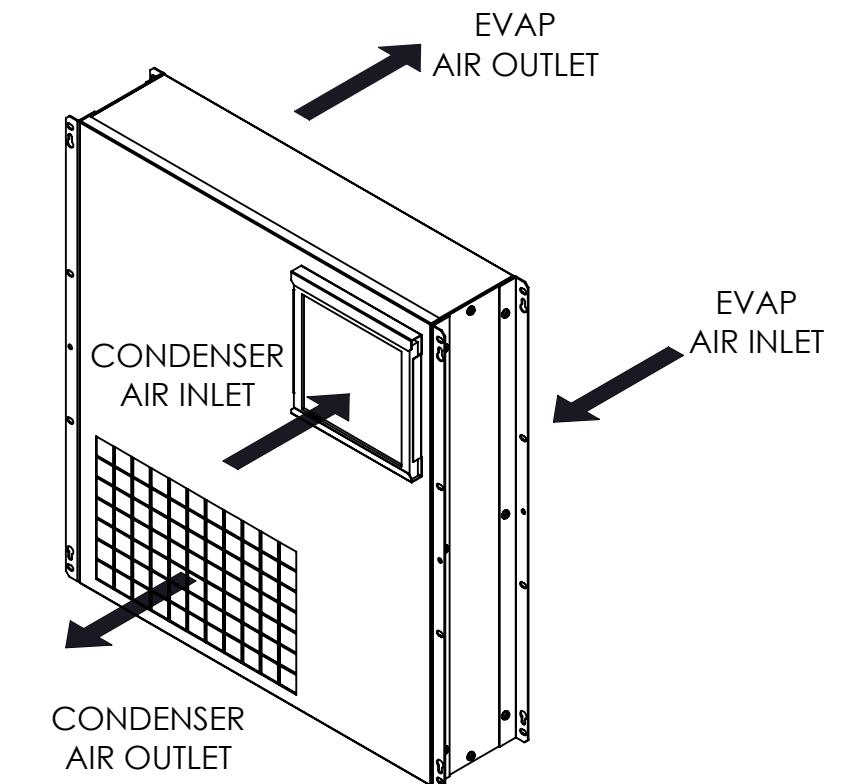
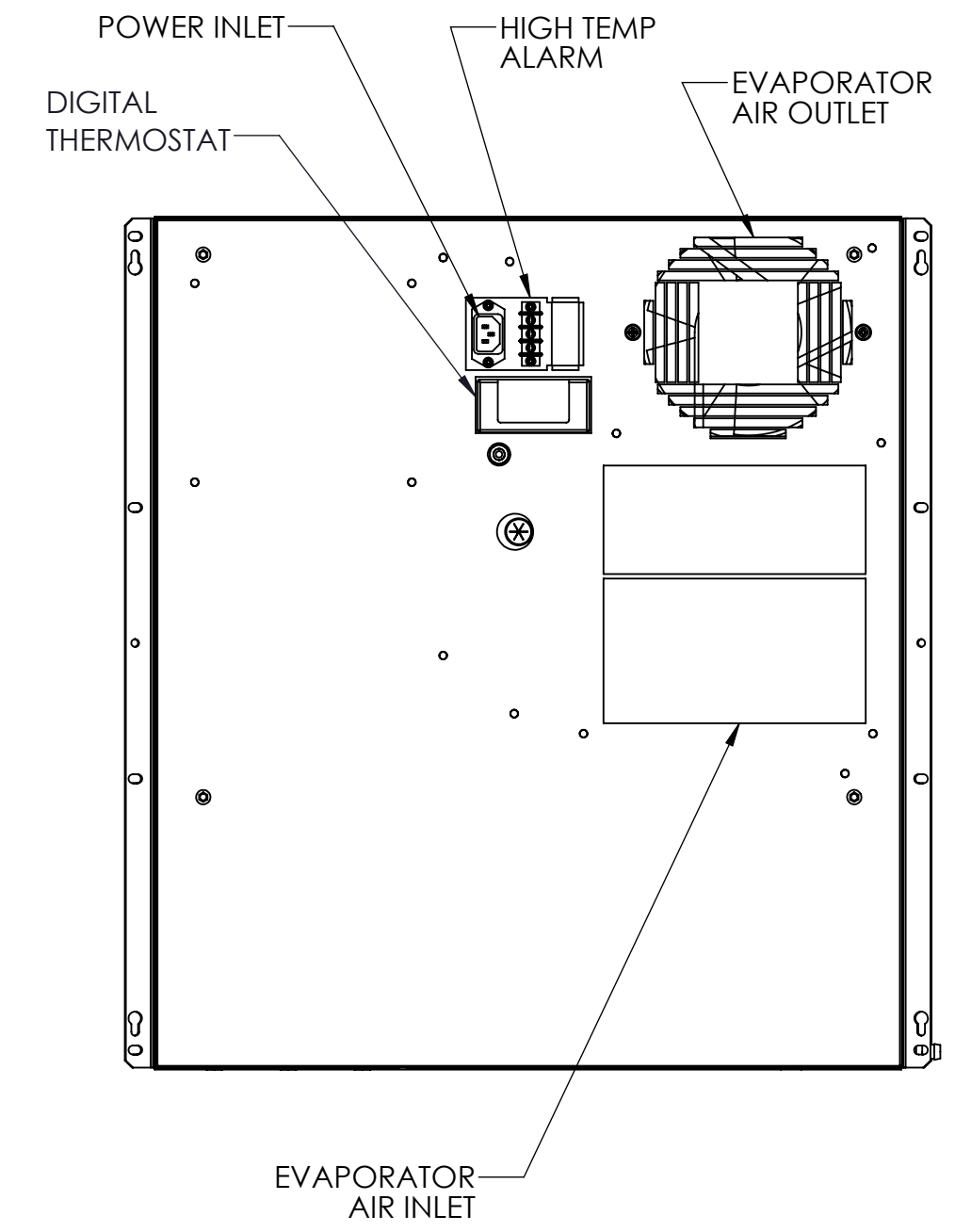
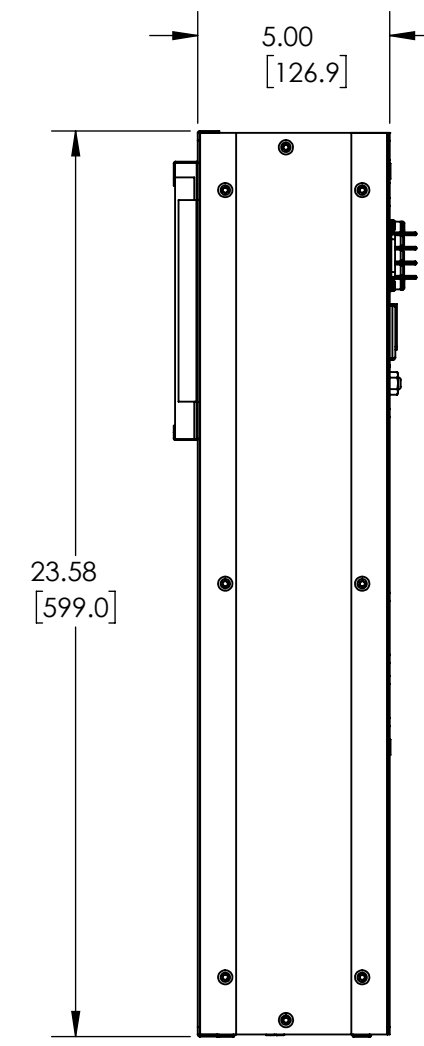
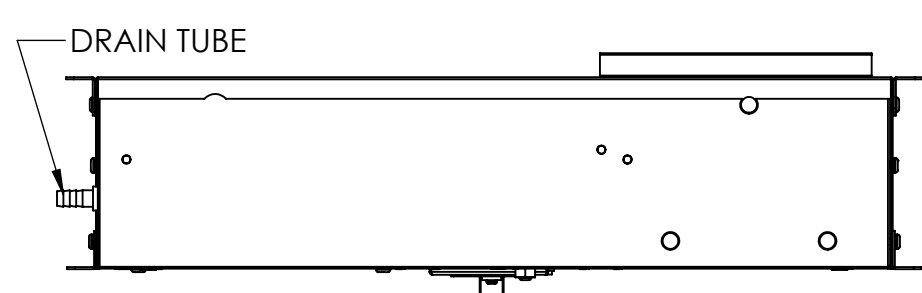
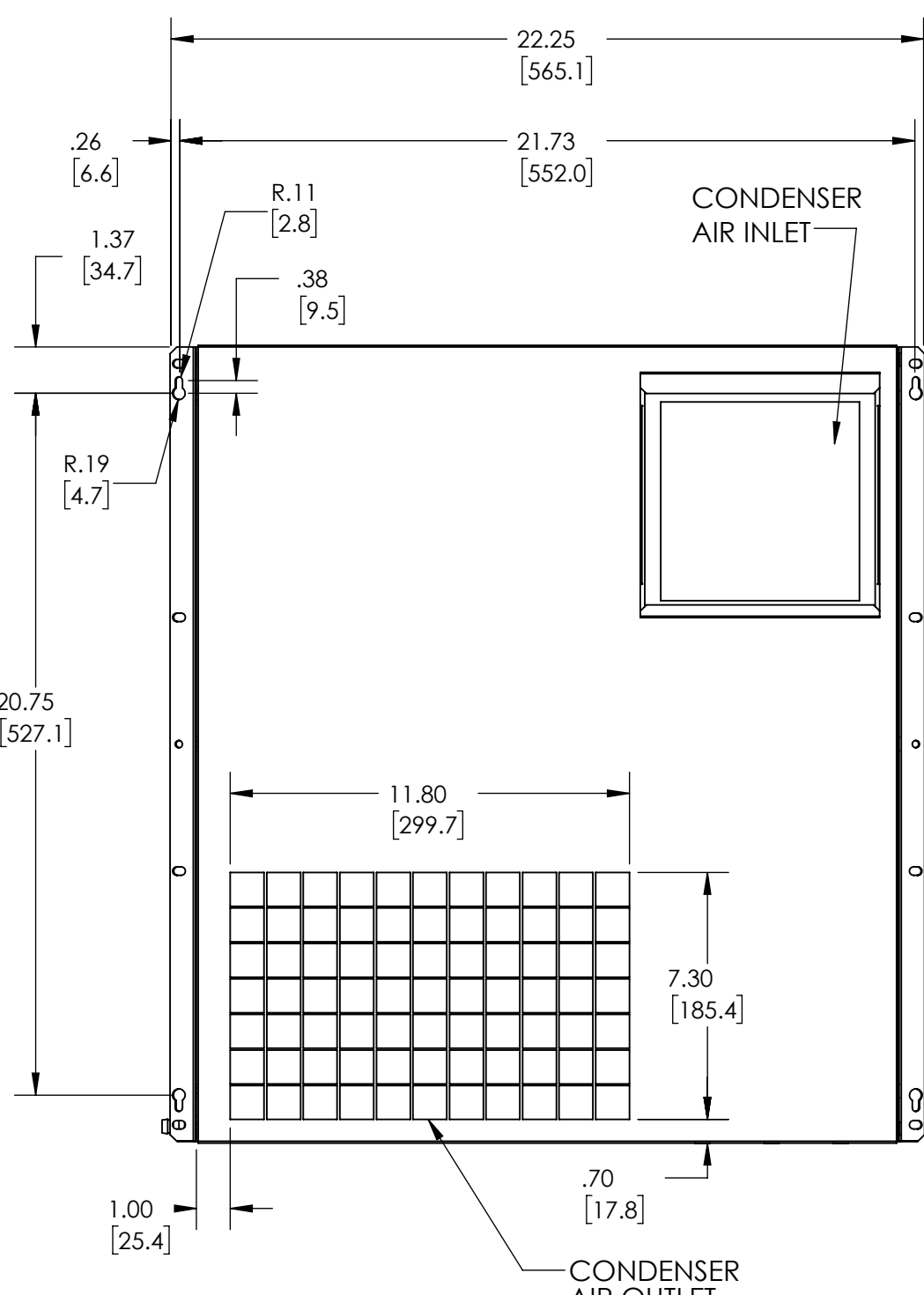
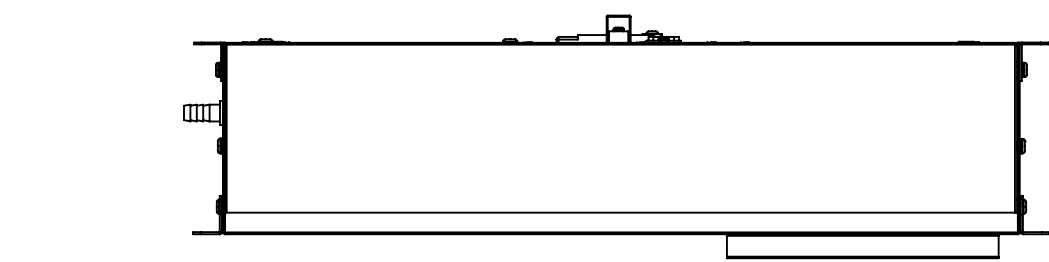


THIS DOCUMENT IS THE PROPERTY OF KOOLTRONIC, INC. AND CONTAINS PROPRIETARY AND CONFIDENTIAL INFORMATION WHICH MUST NOT BE DUPLICATED, USED OR DISCLOSED TO OTHERS, EXCEPT AS EXPRESSLY AUTHORIZED IN WRITING BY KOOLTRONIC, INC.


REVISIONS				
SYM	NOTICE	DESCRIPTION	DATE	APPROVED
-	ER 20/059	NEW DRAWING RELEASE	12/09/20	SF/SDS
A	EC 21/097	REMOVE CUTOUT	3/5/21	RJB/JS
B	EC 21/131	UPDATE DRAWING, ADDED DIGITAL THERMOSTAT	4/6/21	JS/SDS
C	EC 21/226	MOVED DRAIN CONNECTION TO OPPOSITE SIDE	7/13/21	JS/SDS
D	EC 22/333	REMOVED FILTER OPTION CALLOUT	11/15/22	BR

A
B
C
D
E
F

A
B
C
D
E
F



NOTE: FOR MOUNTING PLAN, SEE DRAWING GA201924-2M

ALL DIMENSIONS ARE IN INCHES, DIMENSIONS DESIGNATED MM ARE IN MILLIMETERS.			 PENNINGTON, NJ USA	
UNLESS OTHERWISE SPECIFIED TOLERANCES NON-ACCUMULATIVE				
TOL. ON	INCHES	MM	DRAWN	DATE
.XX	± .02	±	S. FIELDING	12/09/20
.XXX	± .010	±	CHECKED	DATE
ANGULAR		± 1/2 °	Steve Schmierer	12/22/20
MATERIAL	SEE BOM		ENG.	DATE
UNIT	K_A4C2DSP23L		Sepher Sabeti	12/22/20
			MFG. ENG.	
APPROVED	BKreeley	12/31/20	SCALE	.2:1
CODE IDENT. NO.	06223	SIZE	C	DWG. NO.
				GAP4006-1A
			CAD. REF.	SHEET 1 OF 1

GENERAL ARRANGEMENT
K_A4C2DSP23L

1 2 3 4 5 6 7 8