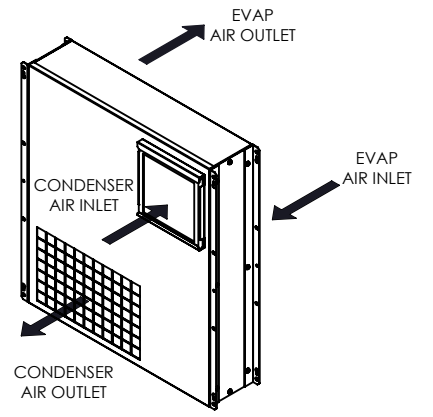
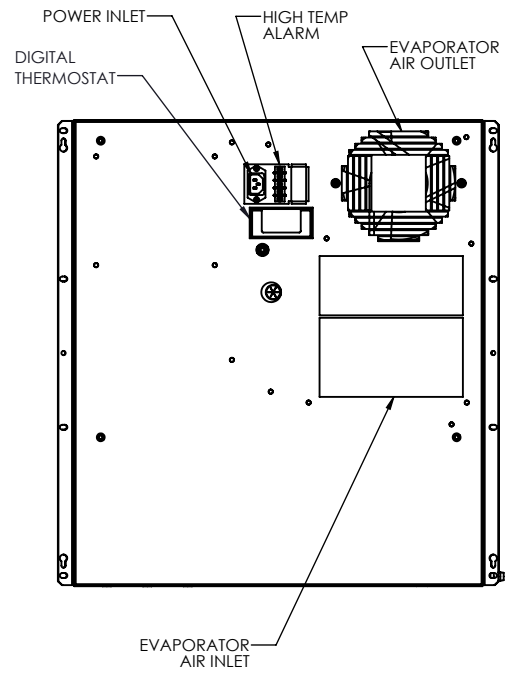
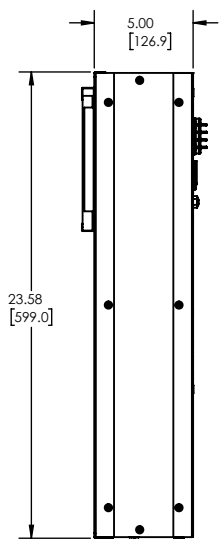
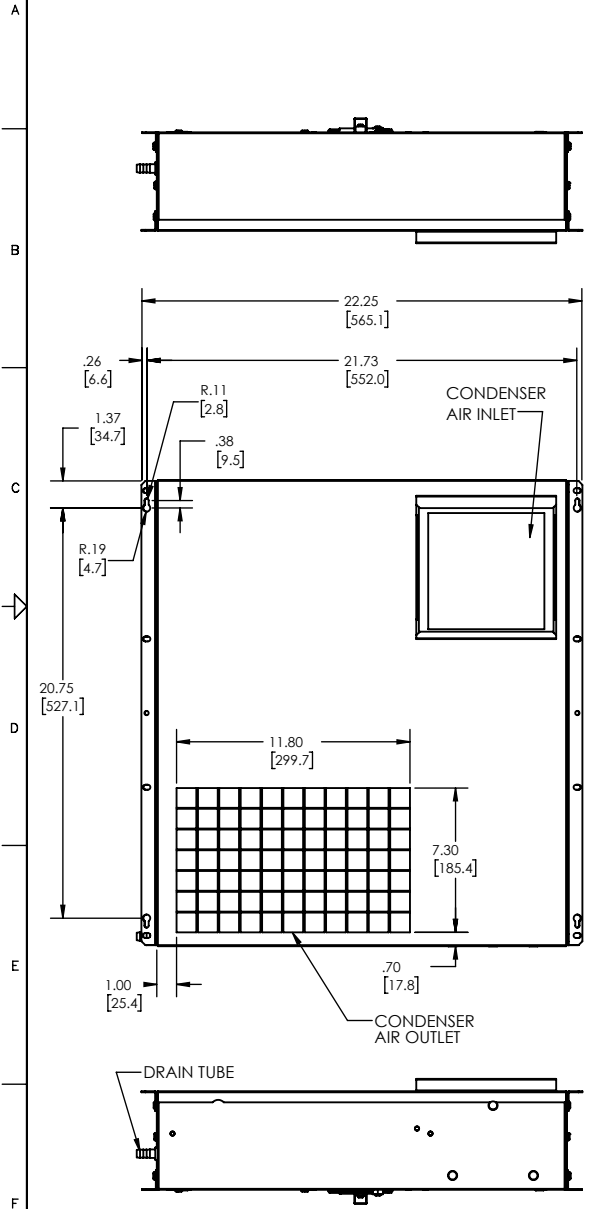



THIS DOCUMENT IS THE PROPERTY OF KOOLTRONIC, INC. AND CONTAINS PROPRIETARY AND CONFIDENTIAL INFORMATION WHICH MUST NOT BE DUPLICATED, USED OR DISCLOSED TO OTHERS, EXCEPT AS EXPRESSLY AUTHORIZED IN WRITING BY KOOLTRONIC, INC.

REVISIONS				
SYM	NOTICE	DESCRIPTION	DATE	APPROVED
-	ER 20/059	NEW DRAWING RELEASE	12/09/20	SF/SDS
A	EC 21/097	REMOVE CUTOUT	3/5/21	RJB/JS
B	EC 21/131	UPDATE DRAWING, ADDED DIGITAL THERMOSTAT	4/6/21	JS/SDS
C	EC 21/226	MOVED DRAIN CONNECTION TO OPPOSITE SIDE	7/13/21	JS/SDS
D	EC 22/333	REMOVED FILTER OPTION CALLOUT	11/15/22	BR



NOTE: FOR MOUNTING PLAN, SEE DRAWING GA201924-2M

ALL DIMENSIONS ARE IN INCHES. DIMENSIONS DESIGNATED MM ARE IN MILLIMETERS.				 PENNINGTON, NJ USA		
UNLESS OTHERWISE SPECIFIED TOLERANCES NON-ACCUMULATIVE		DRAWN S. FIELDING	DATE 12/09/20			TITLE GENERAL ARRANGEMENT K_A4C2DSP23L
TOL. ON	INCHES	MM	CHECKED Steve Schmierer	DATE 12/22/20		
.XX	± .02	±	ENG. Sepher Sabeti	DATE 12/22/20		
.XXX	± .010	±	MFG. ENG.			
ANGULAR	± 1/2 °					
MATERIAL	SEE BOM		CODE IDENT. NO.	SIZE	DWG. NO.	
UNIT	K_A4C2DSP23L		06223	C	GAP4006-1A	
APPROVED BKKreeley			DATE 12/31/20	SCALE .2:1	SHEET 1 OF 1	