

# KA4C6.0H6R-4 HORIZONTAL AIR-COOLED TOP-MOUNTED AIR CONDITIONERS

## TECHNICAL DATA

Model	UL/CUL Listed or Recognized	95/95 Capacity	Ambient Temp. Rating		Volts	Hz	Running Amps	Refrigerant Charge	Approx. Weight	
			BTU/H	BTU/H						°F
KA4C6.0H6R-4	Recognized	6000	3500	125/0	52/-17	115/100	60/50	16.5	17.0	95 44

Rating shown is for operation at maximum ambient temperature.

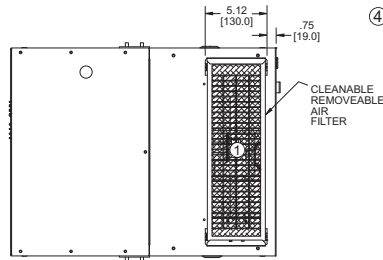
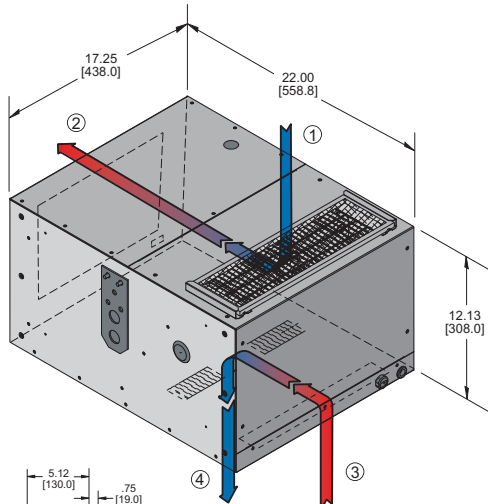


## STANDARD FEATURES

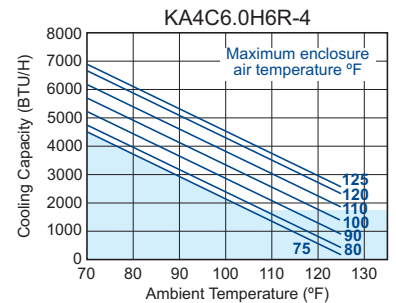
- Baked Powder Finish
- CFC-Free R134a Refrigerant
- Closed-loop Cooling
- Compressor Crankcase Heater
- Compressor Short Cycle Protector
- Condenser Air Filter
- E-coated Condenser and Evaporator coils
- Heavy-duty Steel Shell
- Hot Gas Bypass Valve
- Internal Corrosion Protection
- Lifting Eyes
- Low Ambient Kit
- Low Evaporator Airflow Detector
- Programmable Temperature Alarm
- Programmable Thermostat w/ Internal Dust Cover
- Top Condenser Inlet
- Remote Monitoring (TTL Serial Connection)
- Thermal Expansion Valve
- Twenty Foot [6M] Power Cord w/ Plug
- 3/8" ID X 1/2" OD PVC Drain Tube
- UL/CUL Recognized

## ACCESSORIES AND OPTIONS

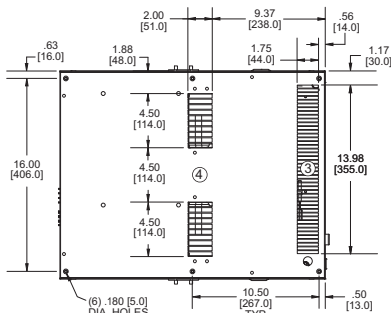
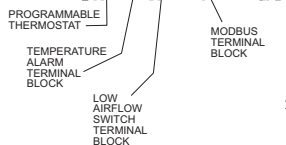
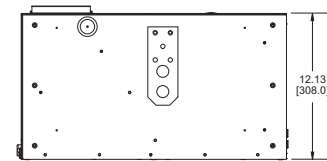
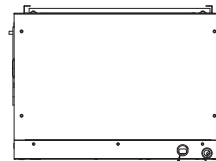
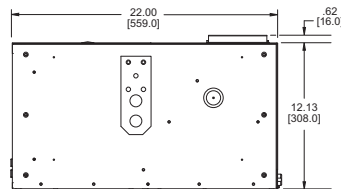
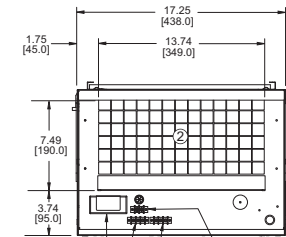
Replacement Filters (P/N 4811F)



## PERFORMANCE



Operation within shaded areas not recommended.



- 1 FILTERED CONDENSER AIR INLET (Ambient Air In)
- 2 CONDENSER OUTLET (Warm Ambient Air Out)
- 3 WARM AIR RETURN FROM ENCLOSURE
- 4 COOL AIR OUTLET TO ENCLOSURE

Dimensions, inches [mm], are for reference only and subject to change.

h6r-4.qxd (2/7/20) (CDR: 20226)