



K2BC4E192/4B MOTORIZED IMPELLER

TECHNICAL DATA

Model	CFM@ Cutoff		Volts	Hz	Amps	Watts	Capacitor			Min. Temp.	Max. Temp.
	0" S.P.	S.P.					μF	RPM	dBA		
K2BC4E192/40B	230	0.56	230	60	0.14	31	1.5	1655	56	-40°F/-40°C	158°F/70°C
K2BC4E192/40B	194	0.38	230	50	0.14	30	1.5	1385	52	-40°F/-40°C	158°F/70°C



STANDARD FEATURES

- Available in 230 VAC, 50/60Hz
- Class F, thermally protected
- Compact size
- External rotor design
- Low noise level
- Normally In-Stock
- Precision balanced
- Precision ball-bearing motors
- UL 94 V-0 plastic impeller
- UL Recognized

ACCESSORIES*

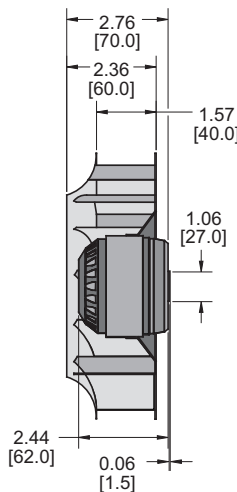
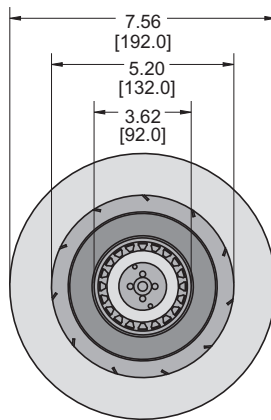
- Automatic Speed Control
- Capacitor - P/N: 0452-64
- Inlet Ring - P/N: 1114-08



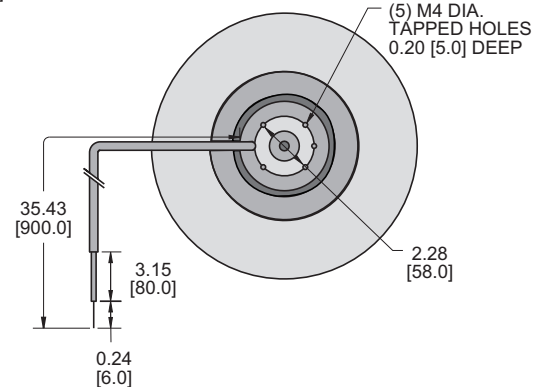
***Note:** This unit requires a capacitor for operation. Capacitors are sold separately and shipped loose for field installation by customer. An Inlet Ring is recommended for optimum performance. These are sold separately, to be installed by the customer.

DRAWINGS

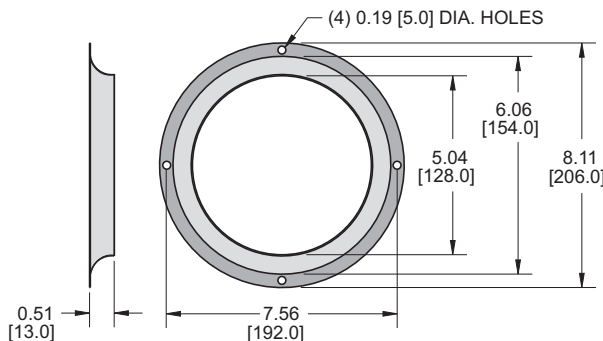
Dimensions, inches [mm], are for reference only and are subject to change.



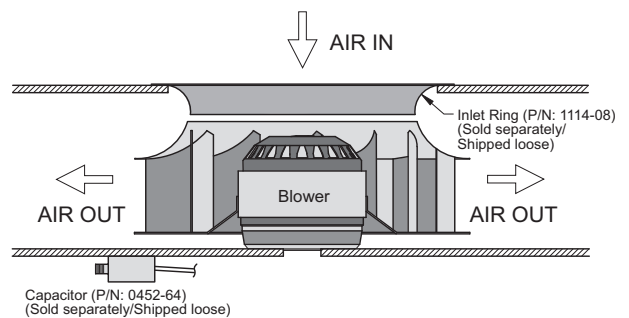
An inlet ring, which must be installed by the customer, is recommended for optimum performance. This unit requires a capacitor which must be mounted and connected by the customer.



INLET RING P/N: 1114-08



TYPICAL INSTALLATION



k2bc4e192-40a.qxd (03/23) (CDR: 20470)