



# K2BC4R355/127C MOTORIZED IMPELLER

## TECHNICAL DATA

Model	CFM@ Cutoff		Volts	Hz	Amps	Watts	Capacitor		RPM	dBA	Max. Temp
	0" S.P.	S.P.					μF				
K2BC4R355/127A	2070	2.1	230	60	2.15	490	8.0		1480	78	113°F/45°C

Available in 230 VAC 60 Hz.



## STANDARD FEATURES

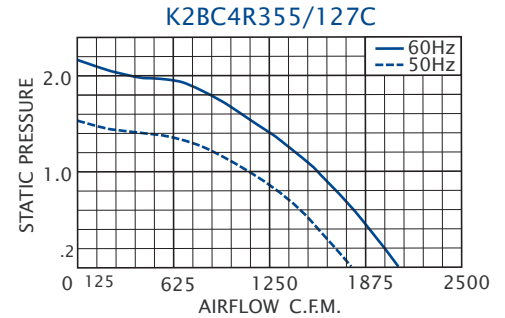
- 2070 CFM Capacity
- Available in 230 VAC, 50/60Hz
- Compact size
- External rotor design
- Low noise level
- Normally In-Stock
- Precision balanced
- Precision ball-bearing motors

## ACCESSORIES\*

- Automatic Speed Control
- Capacitor - P/N: 0452-76
- Inlet Ring - P/N: 1114-12



## PERFORMANCE



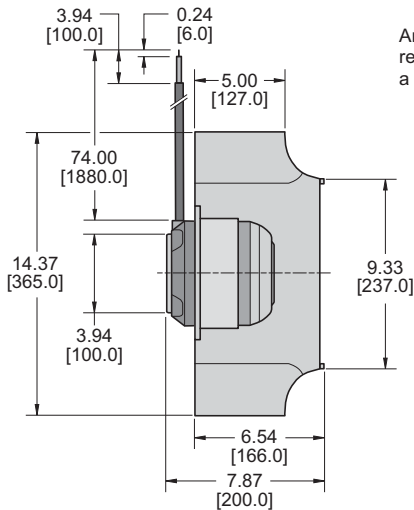
Airflow vs. static pressure curves are shown for 60 Hz and 50 Hz (broken line) inputs. Static pressure is in inches of water.



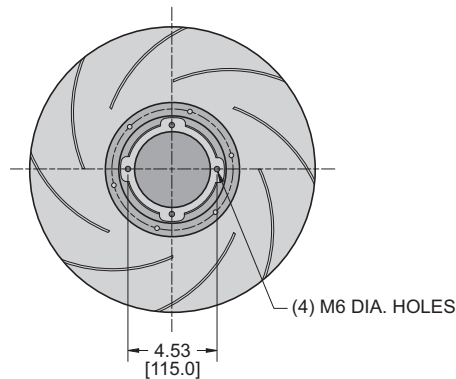
**\*Note:** This unit requires a capacitor for operation. Capacitors are sold separately and shipped loose for field installation by customer. An Inlet Ring is recommended for optimum performance. These are sold separately, to be installed by the customer.

## DRAWINGS

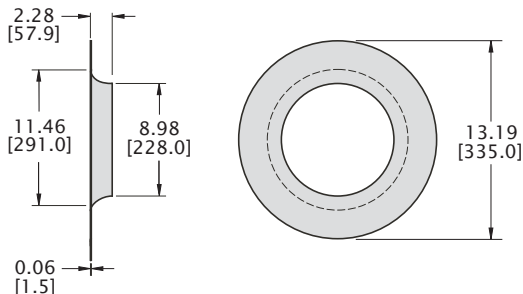
Dimensions, inches [mm], are for reference only and are subject to change.



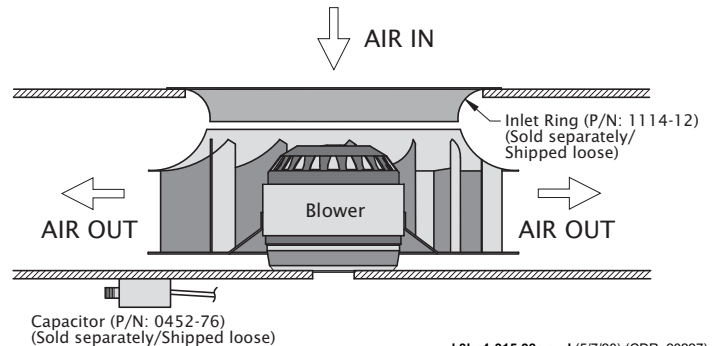
An inlet ring, which must be installed by the customer, is recommended for optimum performance. This unit requires a capacitor which must be connected by the customer.



## OPTIONAL INLET RING P/N: 1114-12



## TYPICAL INSTALLATION



k3bc4r315-98a.qxd (5/7/20) (CDR: 20227)