



K7BCE220/45A MOTORIZED IMPELLER

TECHNICAL DATA

Model	CFM@ 0" S.P.	Cutoff S.P.	DC Volts	Amps	Watts	RPM	dBA	Min. Temp.	Max. Temp.
K7BCE220/45A	564	2.45	24	4.18	100	2740	71	-4°F/-20°C	158°F/70°C



STANDARD FEATURES

- 564 CFM Capacity
- Compact size
- Controlled by 0-10VDC or PWM signal
- External rotor design
- Locked rotor protection
- Low noise level
- Nominal voltage 24VDC (18-36VDC)
- Normally in-stock
- Precision balanced
- Precision ball-bearing motors
- Reverse polarity protection
- Soft start
- Tachometer output (open collector)

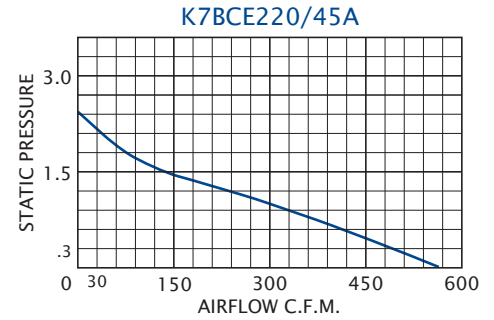
ACCESSORIES*

Inlet Ring - P/N: 1114-07



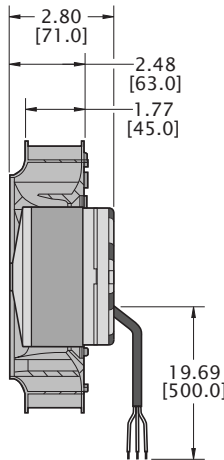
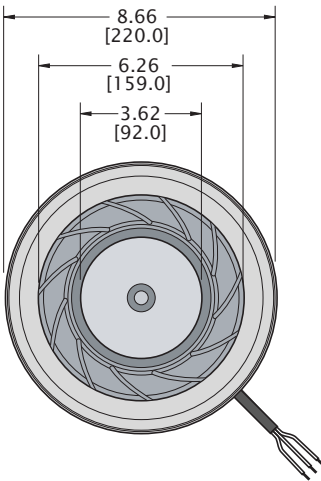
***Note:** An Inlet Ring is recommended for optimum performance. These are sold separately, to be installed by the customer.

PERFORMANCE

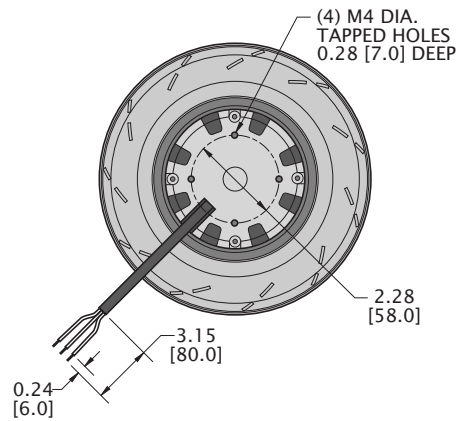


DRAWINGS

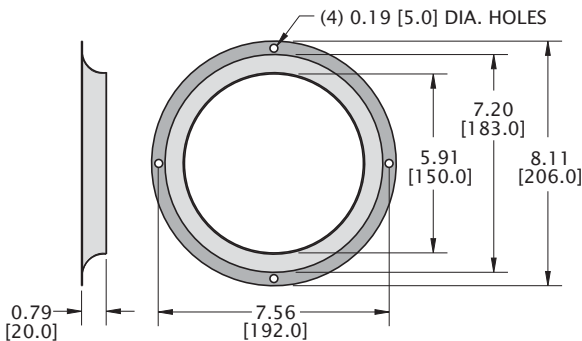
Dimensions, inches [mm], are for reference only and are subject to change.



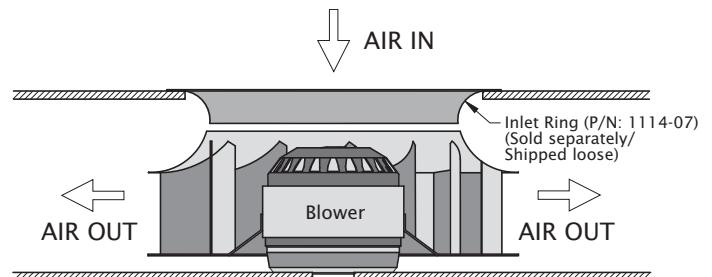
An inlet ring, which must be installed by the customer, is recommended for optimum performance.



OPTIONAL INLET RING P/N: 1114-07



TYPICAL INSTALLATION



k7bce220-45a.qxd (7/14/21) (CDR: 20336)