



# K8BCE180/35A MOTORIZED IMPELLERS

## TECHNICAL DATA

| Model        | CFM@<br>0" S.P. | Cutoff<br>S.P. | DC<br>Volts | Amps | Watts | RPM  | dBA | Min. Temp. | Max. Temp. |
|--------------|-----------------|----------------|-------------|------|-------|------|-----|------------|------------|
| K8BCE180/35A | 276             | 1.98           | 48          | 1.11 | 53    | 3050 | 65  | -4°F/-20°C | 158°F/70°C |



## STANDARD FEATURES

- 276 CFM Capacity
- Compact size
- Controlled by 0-10VDC or PWM signal
- External rotor design
- Locked rotor protection
- Low noise level
- Nominal voltage 48VDC (36-60VDC)
- Precision balanced
- Precision ball-bearing motors
- Reverse polarity protection
- Soft start
- Tachometer output (open collector)

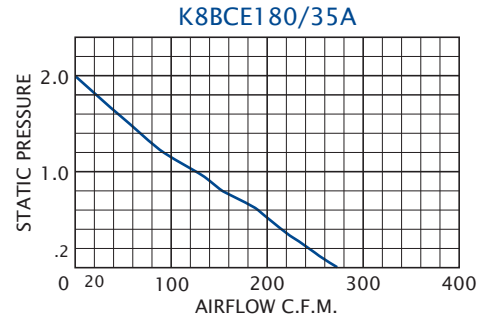
## ACCESSORIES\*

Inlet Ring - P/N: 1114-08



**\*Note:** An Inlet Ring is recommended for optimum performance. These are sold separately, to be installed by the customer.

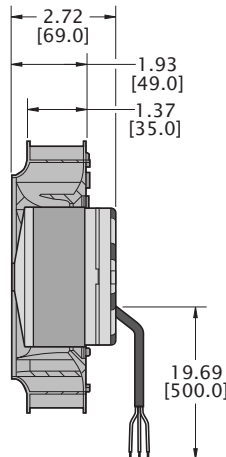
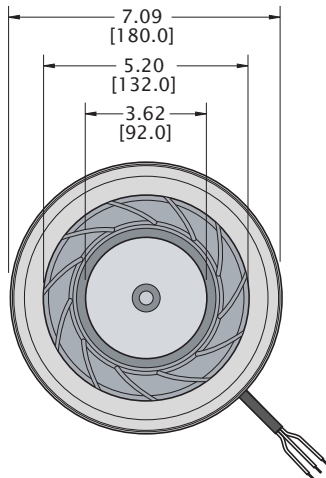
## PERFORMANCE



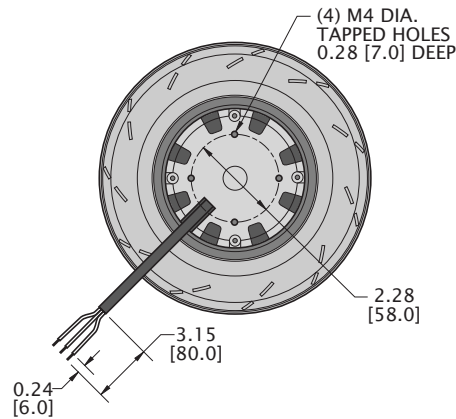
Airflow vs. static pressure curves are shown for 60 Hz input. Static pressure is in inches of water.

## DRAWINGS

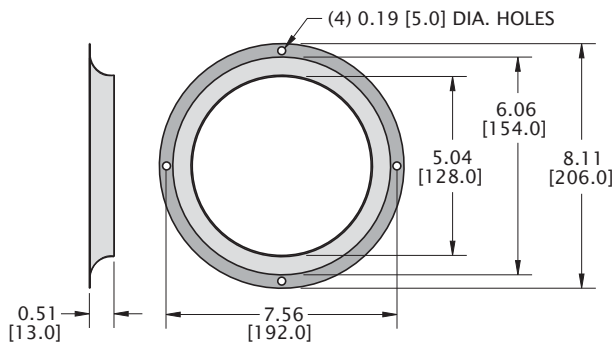
Dimensions, inches [mm], are for reference only and are subject to change.



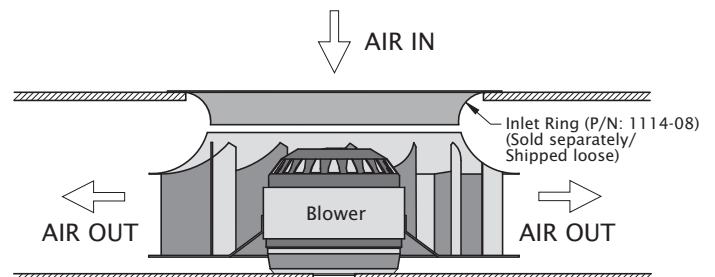
An inlet ring, which must be installed by the customer, is recommended for optimum performance.



## INLET RING P/N: 1114-08



## TYPICAL INSTALLATION



k8bce180-35a.qxd (12/16/20) (CDR: 20293)