



K8BCE192/40A MOTORIZED IMPELLER

TECHNICAL DATA

Model	CFM@ 0" S.P.	Cutoff S.P.	DC Volts	Amps	Watts	RPM	dBA	Min. Temp.	Max. Temp.
K8BCE192/40A	341	2.58	48	1.82	87	3270	67	-4°F/-20°C	158°F/70°C



STANDARD FEATURES

- 341 CFM Capacity
- Compact size
- Controlled by 0-10VDC or PWM signal
- External rotor design
- Locked rotor protection
- Low noise level
- Nominal voltage 48VDC (36-60VDC)
- Precision balanced
- Precision ball-bearing motors
- Reverse polarity protection
- Soft start
- Tachometer output (open collector)

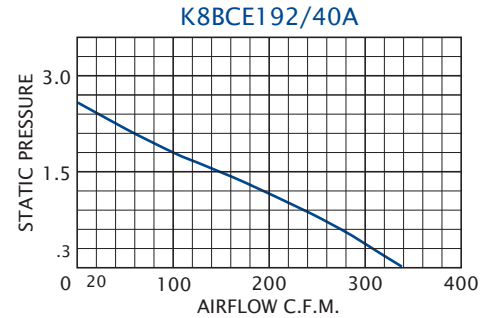
ACCESSORIES*

Inlet Ring - P/N: 1114-08



***Note:** An Inlet Ring is recommended for optimum performance. These are sold separately, to be installed by the customer.

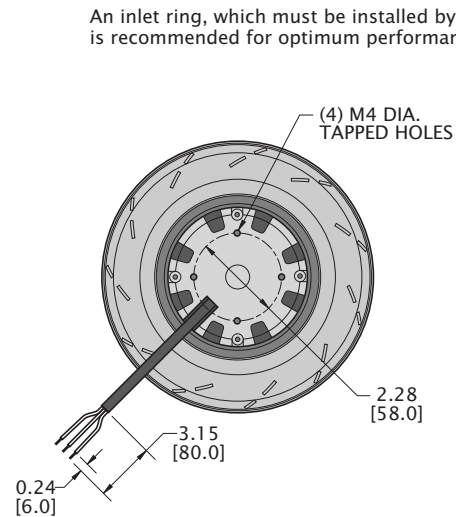
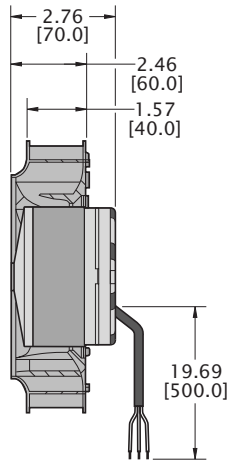
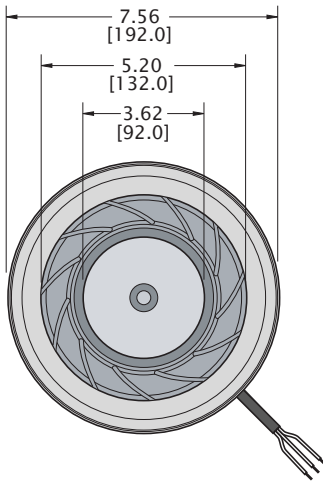
PERFORMANCE



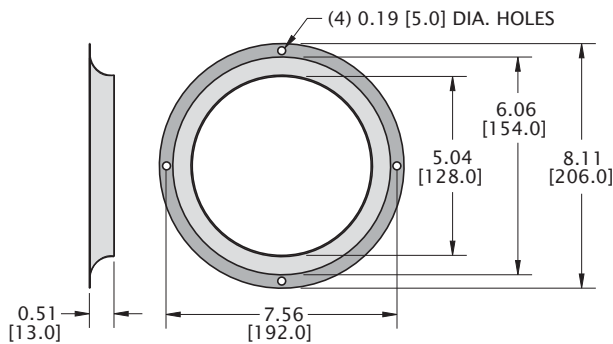
Airflow vs. static pressure curves are shown for 60 Hz input. Static pressure is in inches of water.

DRAWINGS

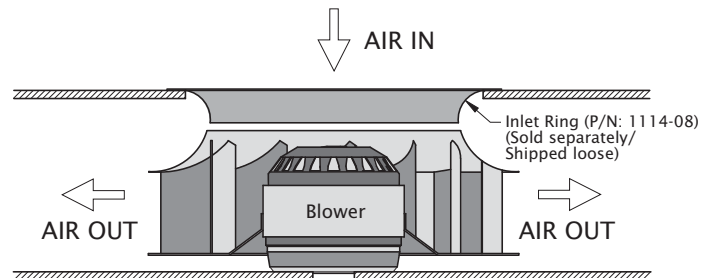
Dimensions, inches [mm], are for reference only and are subject to change.



INLET RING P/N: 1114-08



TYPICAL INSTALLATION



k8bce192-40a.qxd (12/16/20) (CDR: 20294)