

KBC2E225/40A BACKWARD-CURVED IMPELLER BLOWER

TECHNICAL DATA

Model	CFM@ Cutoff			Hz	Amps	Watts	Capacitor			Min. Temp.	Max. Temp.
	0" S.P.	S.P.	Volts				μ F	RPM	dBA		
KBC2E225/40A	553	2.1	115	60	1.11	127	8.0	2840	67	-4°F/-20°C	122°F/50°C
KBC2E225/40A	523	1.7	115	50	1.05	117	8.0	2710	65	-4°F/-20°C	122°F/50°C



STANDARD FEATURES

- 553 CFM Capacity
- Available in 115 VAC, 50/60Hz
- Class F, thermally protected
- Compact size
- External rotor design
- Galvanized Steel impeller
- Low noise level
- Normally in-stock
- Precision balanced
- Precision ball-bearing motors
- UL Recognized



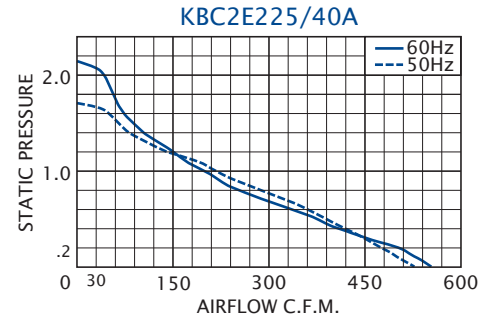
ACCESSORIES*

- Capacitor - P/N: 0452-76
- Inlet Ring - P/N: 1114-07
- Automatic Speed Control



***Note:** This unit requires a capacitor for operation. Capacitors are sold separately and shipped loose for field installation by customer. An Inlet Ring is recommended for optimum performance. These are sold separately, to be installed by the customer.

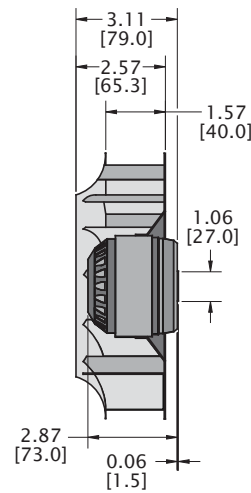
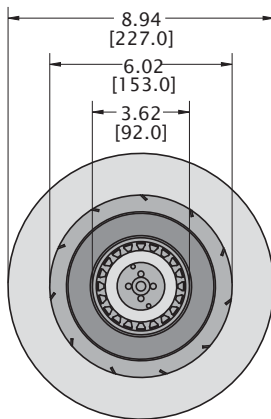
PERFORMANCE



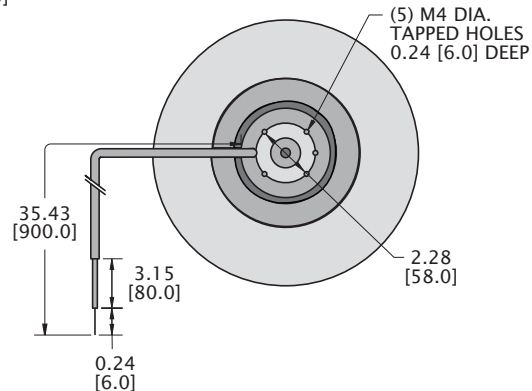
Airflow vs. static pressure curves are shown for 60 Hz (solid line) and 50 Hz (broken line) inputs. Static pressure is in inches of water.

DRAWINGS

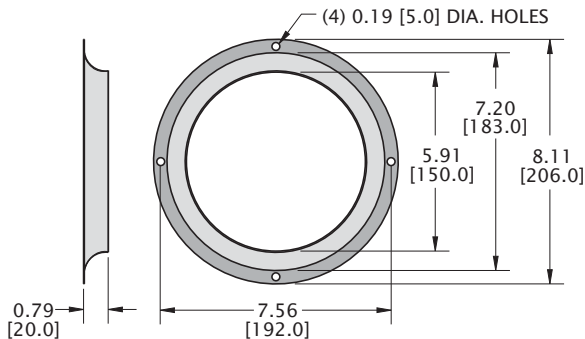
Dimensions, inches [mm], are for reference only and are subject to change.



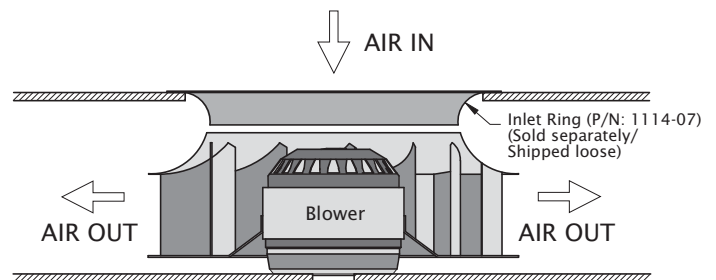
An inlet ring, which must be installed by the customer, is recommended for optimum performance. This unit requires a capacitor which must be mounted and connected by the customer.



INLET RING P/N: 1114-07



TYPICAL INSTALLATION



Capacitor (P/N: 0452-76)
(Sold separately/Shipped loose)

kbc2e225-40a.qxd (7/12/21) (CDR: 20336)