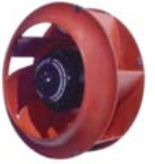


KBC2E225/63B MOTORIZED IMPELLER

TECHNICAL DATA

Model	CFM@ Cutoff			Hz	Amps	Watts	Capacitor		RPM	dBA	Min. Temp.	Max. Temp.
	0" S.P.	S.P.	Volts				μ F	RPM				
KBC2E225/63B	741	2.5	115	60	1.86	210	18.0	2695	69	-40°F/-40°C	122°F/50°C	
KBC2E225/63B	711	1.9	115	50	1.36	150	18.0	2560	67	-40°F/-40°C	122°F/50°C	



STANDARD FEATURES

- 741 CFM Capacity
- Available in 115 VAC, 50/60Hz
- Class F, thermally protected
- Compact size
- External rotor design
- Low noise level
- Normally in-stock
- Precision balanced
- Precision ball-bearing motors
- UL 94 V-0 plastic impeller
- UL Recognized

ACCESSORIES*

- Automatic Speed Control
- Capacitor - P/N: 0452-69
- Inlet Ring - P/N: 1114-07

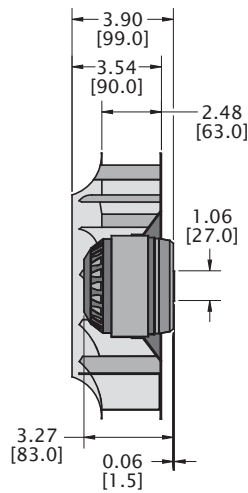
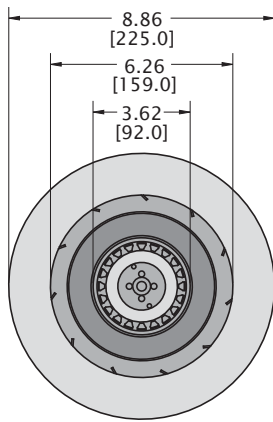


***Note:** This unit requires a capacitor for operation. Capacitors are sold separately and shipped loose for field installation by customer. An Inlet Ring is recommended for optimum performance. These are sold separately, to be installed by the customer.

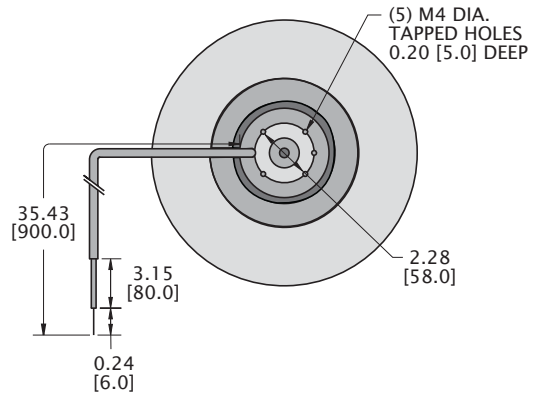


DRAWINGS

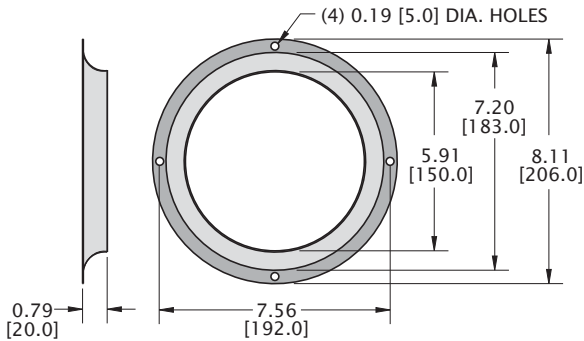
Dimensions, inches [mm], are for reference only and are subject to change.



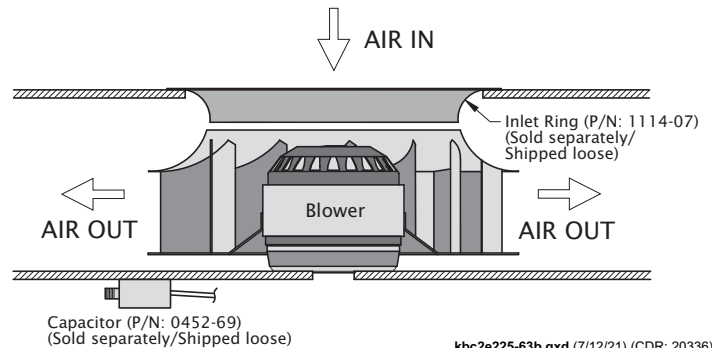
An inlet ring, which must be installed by the customer, is recommended for optimum performance. This unit requires a capacitor which must be mounted and connected by the customer.



INLET RING P/N: 1114-07



TYPICAL INSTALLATION



kbc2e225-63b.qxd (7/12/21) (CDR: 20336)