



KBC4E225/63C MOTORIZED IMPELLER

TECHNICAL DATA

Model	CFM@ Cutoff			Hz	Amps	Watts	Capacitor			dBA	Min. Temp.	Max. Temp.
	0" S.P.	S.P.	Volts				µF	RPM				
KBC4E225/63C	517	0.78	115	60	0.62	56	5.0	1645	56	-40°F/-40°C	158°F/70°C	
KBC4E225/63C	426	0.52	115	50	0.94	60	5.0	1365	55	-40°F/-40°C	158°F/70°C	



STANDARD FEATURES

- 517 CFM Capacity
- Available in 115 VAC, 50/60Hz
- Class F, thermally protected
- Compact size
- External rotor design
- Low noise level
- Normally In-Stock
- Precision balanced
- Precision ball-bearing motors
- UL 94 V-0 plastic impeller
- UL Recognized

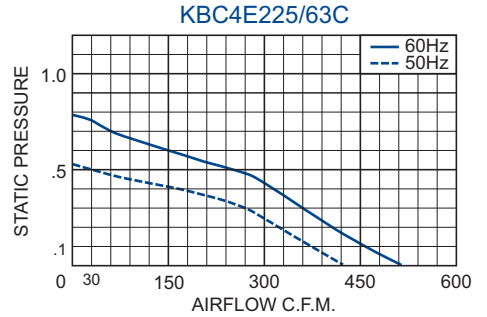
ACCESSORIES*

- Automatic Speed Control
- Capacitor - P/N: 0452-67
- Inlet Ring - P/N: 1114-07



***Note:** This unit requires a capacitor for operation. Capacitors are sold separately and shipped loose for field installation by customer. An Inlet Ring is recommended for optimum performance. These are sold separately, to be installed by the customer.

PERFORMANCE

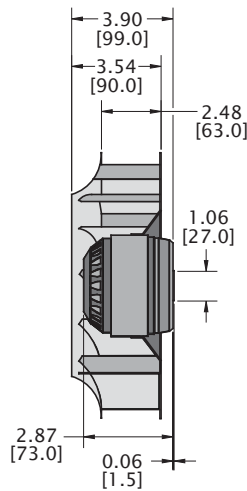
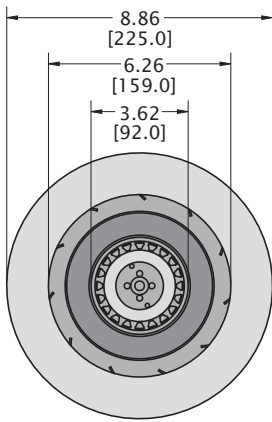


Airflow vs. static pressure curves are shown for 60 Hz (solid line) and 50 Hz (broken line) inputs. Static pressure is in inches of water.

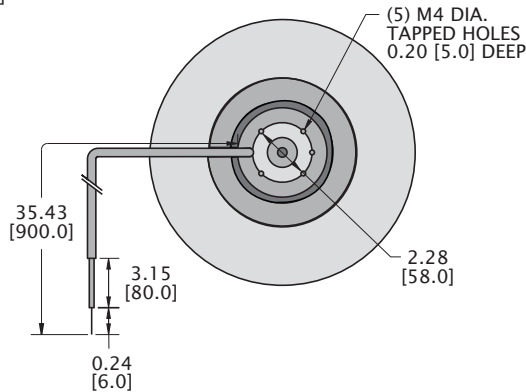
DRAWINGS



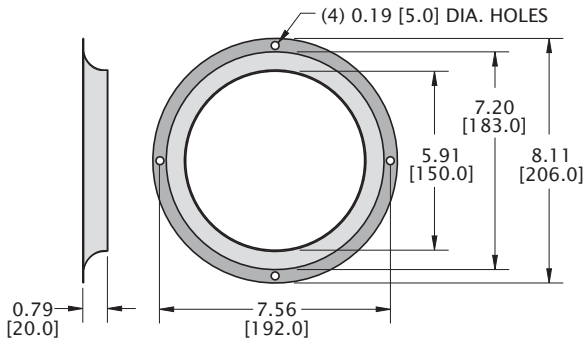
Dimensions, inches [mm], are for reference only and are subject to change.



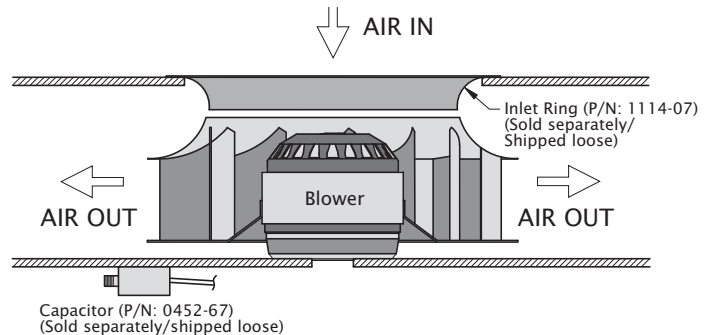
An inlet ring, which must be installed by the customer, is recommended for optimum performance. This unit requires a capacitor which must be mounted and connected by the customer.



INLET RING P/N: 1114-07



TYPICAL INSTALLATION



kbc4e225-63c.qxd (7/13/21) (CDR: 20336)