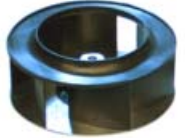




KBC4E315/101A MOTORIZED IMPELLER

TECHNICAL DATA

Model	CFM@ Cutoff			Capacitor							Min. Temp.	Max. Temp.
	0" S.P.	S.P.	Volts	Hz	Amps	Watts	µF	RPM	dBA			
KBC4E315/101A	1194	1.42	115	60	1.36	156	15.0	1520	65	-40°F/-40°C	158°F/70°C	
KBC4E315/101A	1070	1.04	115	50	1.02	117	15.0	1355	62	-40°F/-40°C	158°F/70°C	



STANDARD FEATURES

- 1194 CFM Capacity
- Available in 115 VAC, 50/60Hz
- Class F, thermally protected
- Compact size
- External rotor design
- Low noise level
- Normally In-Stock
- Precision balanced
- Precision ball-bearing motors
- UL 94 V-0 plastic impeller
- UL Recognized



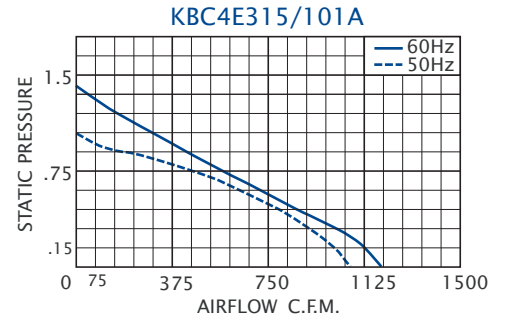
ACCESSORIES*

- Automatic Speed Control
- Capacitor - P/N: 0452-12
- Inlet Ring - P/N: 971-395-01AL



***Note:** This unit requires a capacitor for operation. Capacitors are sold separately and shipped loose for field installation by customer. An Inlet Ring is recommended for optimum performance. These are sold separately, to be installed by the customer.

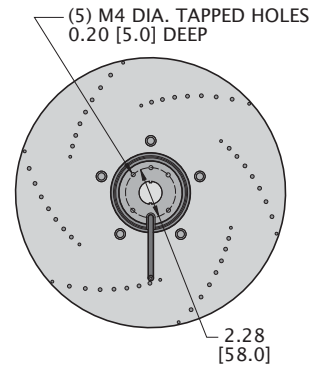
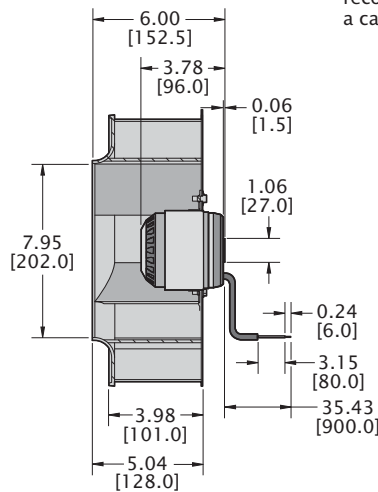
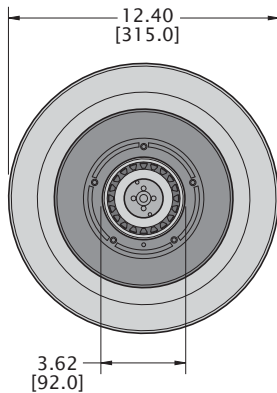
PERFORMANCE



Airflow vs. static pressure curves are shown for 60 Hz and 50 Hz (broken line) inputs. Static pressure is in inches of water.

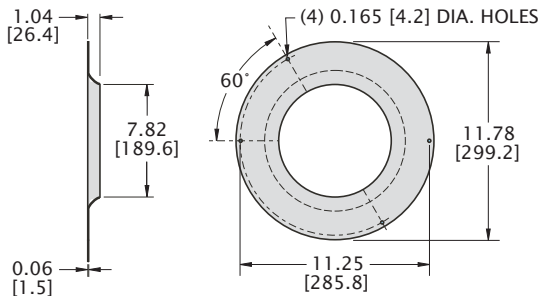
DRAWINGS

Dimensions, inches [mm], are for reference only and are subject to change.

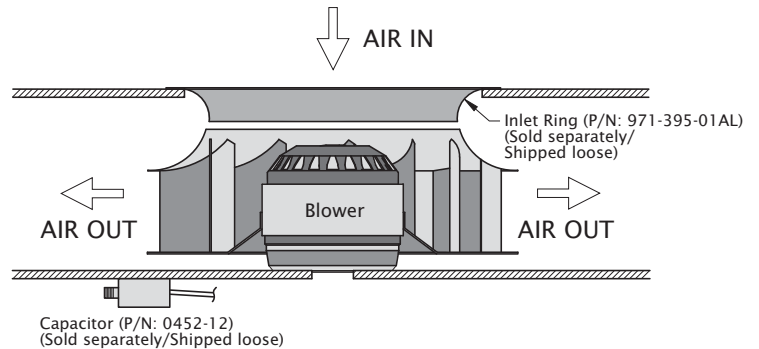


An inlet ring, which must be installed by the customer, is recommended for optimum performance. This unit requires a capacitor which must be connected by the customer.

INLET RING P/N: 971-395-01AL



TYPICAL INSTALLATION



kbc4e315-101a.qxd (5/7/20) (CDR: 20227)