

ADVANTAGE SERIES FILTER FANS KBFF08GAUF MODELS



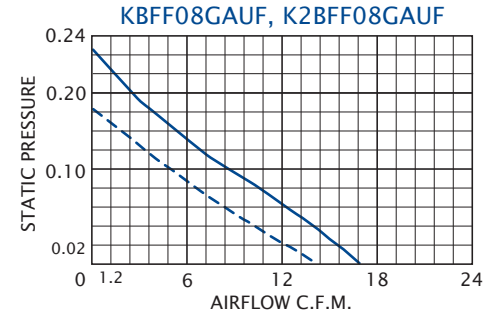
STANDARD FEATURES

- Mounts Quickly and Easily
- Attractive Appearance
- Requires no Mounting Hardware
- Integral Finger-Guards
- Most Assemblies are CE Approved
- Type 12 Rating Maintained (if used with provided filter)
- UL Shielded Ball Bearing Motors
- Integrated Sealing Gasket
- Washable Thermolinked Progressive Structure Synthetic Filter
- Electrical Connection: 12 inch leads
- Standard color: RAL 7035, Light Grey (See How to Order)

ACCESSORIES AND OPTIONS

- Grille Color: RAL 9005, Black (See How to Order)
- Grille Assembly (P/N: KBFA08U)
- Replacement Filters (P/N: KFM08)
- Reversed Airflow Direction

PERFORMANCE CHART



Airflow vs. static pressure curves for 115VAC and 230VAC models are shown for 60 Hz (solid line) inputs and 50 Hz (broken line) inputs. Static pressure is in inches of water.

Find additional information on this model at kooltronic.com, or use the Technical Documents QR code below.

Technical Documents



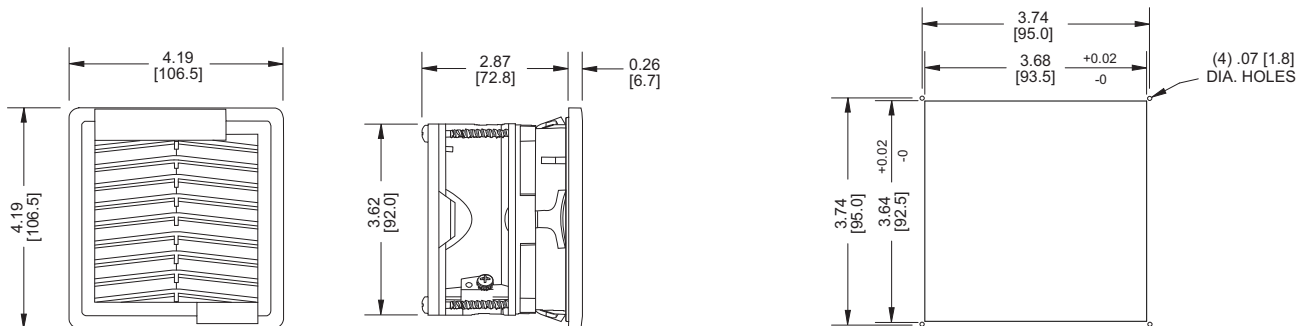
TECHNICAL DATA

Model	Normally In Stock	Voltage	Frequency Hz	Input Amps	Input Watts	Max. Airflow CFM*	Static Pressure INCH. W.	Noise db(A)	Operating Temp. °F		Approx. Weight		Agency Approvals
									Min.	Max	Lbs.	Kg.	
KBFF08GAUF	Yes	115 VAC	50/60	0.145/0.127	12/10	13/15	0.16/0.23	37/42	14	131	1.19	0.54	1, 2, 5
K2BFF08GAUF		230 VAC	50/60	0.078/0.068	12/11	13/15	0.16/0.23	37/42	14	131	1.19	0.54	1, 2, 5

*Fan with grille airflow.

APPROVALS: 1. NEMA TYPE 12 MAINTAINED 2. CE 3. SP US 4. RU 5. cRU US

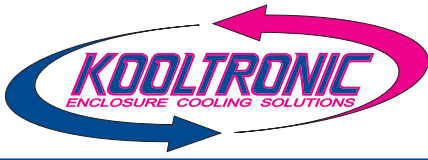
DRAWINGS



MOUNTING PLAN

Dimensions, inches [mm], are for reference only and are subject to change.

kbff08auf.qxd (8/10/23) (CDR: 20498)



ADVANTAGE SERIES FILTER FANS

KBFF08GAUF MODELS

DESCRIPTION

In response to industry demands for small, versatile cooling units, Kooltronic now offers the new Advantage Series Filter Fans. Unique to the series is a clean, linear design, characterized by its extremely flat profile, which keeps the unit from protruding from the cabinet wall.

The new Advantage Series Filter Fans offer convenience, versatility and reliability:

FAST MOUNTING: With elastic hooks and an integrated seal, the Advantage Series Filter Fans can be mounted easily into the opening provided on the panel. There is no need for extra screws or preparation.

WIDE RANGE OF MOUNTING DIMENSIONS: The precise planning of the elastic hooks and gaskets allow the fans to be mounted in openings with a tolerance range of 0.059 inches [1.5mm] and a plate thickness of between 0.039 inches [1.0mm] and 0.079 inches [2.0mm].

ELECTRICAL CONNECTION: UL 3266 AWG22 lead wires.

COMPONENT CHARACTERISTICS

- Standard airflow direction is from the outside to the inside of the cabinet.
- All materials used for the components can be recycled.
- Mounting hardware is not required when using the “snap-in” method which utilizes elastic hooks. Otherwise four self-threading screws are used.
- The plastic enclosure with integral finger guards consists of an ABS/PC alloy (Blend) and is self-extinguishing according to UL94V-0.
- The standard filter media consists of thermolinked, progressive structure synthetic fiber.
- Filters are stable up to 100°C and 100% rh. (Filters are necessary in order to maintain Type 12 Rating).
- Filtering class G3, according to EN 779.
- Filters guarantee a continuously high level of protection according to EU4, with an 85% separation efficiency according to DIN 24185 Standard.
NOTE: Filter media is washable about 10 times.
- Dust retention capacity is particularly high (600 g/m²), which reduces maintenance.

ACCESSORIES AND OPTIONS

- Other supply voltages are available on request.
- Filter fans can be supplied with reversed airflow direction (from inside the cabinet to outside).
- Standard color is RAL 7035, Light Grey. RAL 9005, Black, is available as an option. Depending on the request and quantity, the plastic parts can be supplied in other colors.
- Replacement filters (P/N: KFM08).
- Grille Assembly (P/N: KBFA08U).

HOW TO ORDER

Specify model number. Example: KBFF08GAUF (115V). K2BFF08GAUF (230V).

RAL 7035 (Light Grey) is standard color (designated by U in model number). Fans are also available in RAL 9005 (Black). To order Black fan, substitute N for U in model number. Example: KBFF08GAUF for RAL 7035 (Light Grey) and KBFF08GANF for RAL 9005 (Black).

This letter designation applies when ordering the Grill Assembly as well. KBFA08U for Light Grey grille, and KBFA08N for Black Grille.

To order fan with reverse airflow, add R to model number. Example: KBFF08GAUFR.

