

GUARDIAN/GUARDIANX SERIES NEMA 4 or 4X FILTER FANS KNP180FL

TECHNICAL DATA



**NEMA
TYPE 4/4X
MAINTAINED**

Model	Airflow Direction	NEMA Rating	Voltage	Input Amps	Input Watts	Max Airflow CFM*	Unit Airflow CFM**	Noise db(A)	Operating Temp. °F		Approx. Weight	
									Min.	Max	Lbs.	Kg.
KNP180FL	Intake	4	115/60	0.48	53	221	179	61.9	-40	158	23.5	10.7
KNP180RFL	Exhaust	4	115/60	0.48	53	220	177	61.9	-40	158	23.5	10.7
K2NP180FL	Intake	4	230/60	0.27	61	221	179	61.9	-40	158	23.5	10.7
K2NP180RFL	Exhaust	4	230/60	0.27	61	220	177	61.9	-40	158	23.5	10.7
K7NP180FL	Intake	4	24VDC	2.52	47	221	179	61.9	-4	158	23.5	10.7
K7NP180RFL	Exhaust	4	24VDC	2.52	47	220	177	61.9	-4	158	23.5	10.7
K8NP180FL	Intake	4	48 VDC	1.1	53	221	179	61.9	-4	158	23.5	10.7
K8NP180RFL	Exhaust	4	48 VDC	1.1	53	220	177	61.9	-4	158	23.5	10.7
KNP180 FLV	Intake	4X	115/60	0.48	53	221	179	61.9	-40	158	23.5	10.7
KNP180 RFLV	Exhaust	4X	115/60	0.48	53	220	177	61.9	-40	158	23.5	10.7
K2NP180FLV	Intake	4X	230/60	0.27	61	221	179	61.9	-40	158	23.5	10.7
K2NP180RFLV	Exhaust	4X	230/60	0.27	61	220	177	61.9	-40	158	23.5	10.7
K7NP180FLV	Intake	4X	24VDC	2.52	47	221	179	61.9	-4	158	23.5	10.7
K7NP180RFLV	Exhaust	4X	24VDC	2.52	47	220	177	61.9	-4	158	23.5	10.7
K8NP180FLV	Intake	4X	48 VDC	1.1	53	221	179	61.9	-4	158	23.5	10.7
K8NP180RFLV	Exhaust	4X	48 VDC	1.1	53	220	177	61.9	-4	158	23.5	10.7

* Fan airflow without filter and grille.

** NEMA Rated if installed with provided filter.

STANDARD FEATURES

- Baked Powder Finish
- Integrated Fan Guards
- Integrated Sealing Gasket
- IP55 Filter Protection
- NEMA 4 or 4X Rating Maintained (if used with provided filter)
- Secure Mounting
- Six foot [1.8m] (minimum) 3-wire power cord
- Stainless Steel Shell (NEMA 4X models)
- UL Shielded Ball Bearing Motors
- UL/CUL Listed
- Washable, Reuseable Filter

ACCESSORIES AND OPTIONS

- Filter-Hood Assembly (Recommended) (P/N: KNPA225FL(V))
- Other voltages, both AC and DC
- Replacement Filters for all models (P/N: 0429-01-06)
- Reversed Airflow Direction*
- T-Temperature Control (90°F) (AC units only)
- B-Temperature Alarm (130°F)

* To order reversed airflow direction, add "R" after series number. Example: KNP180RFL.

For general ventilating use only. Do not use these fans to exhaust hazardous or explosive material or vapors.

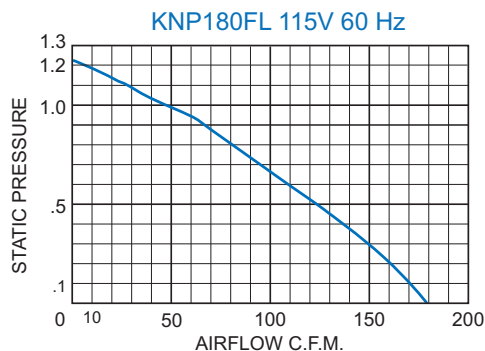
NOT ALL SYSTEMS ARE SUITABLE FOR UTILIZING OUTSIDE AIR. To protect sensitive components against condensation an enclosure heater or closed-loop cooling is recommended. To protect sensitive components against corrosive elements closed-loop cooling is recommended.

Find additional information on this model at kooltronic.com, or use the Technical Documents QR code below.

Technical Documents

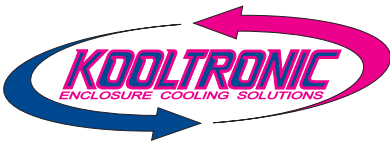


PERFORMANCE CHART



Airflow vs. static pressure curve is shown for 60 Hz (solid line) inputs. Static pressure is in inches of water.

knp180fl.qxd (6/28/21) (CDR: 20336)



GUARDIAN/GUARDIANX SERIES NEMA 4 or 4X FILTER FANS KNP180FL

DESCRIPTION

Kooltronic has expanded its line of filter fans to include models offering the versatility and security of indoor or outdoor use. All **Guardian Series Filter Fans** have a **NEMA 4** Rating. The **GuardianX Series Filter Fans**, with a **NEMA 4X** Rating, are offered with a Stainless Steel Shell. The **Guardian/GuardianX Series Indoor/Outdoor Filter Fans** are a perfect choice for dissipating high heat loads economically. These models are available in a variety of sizes, voltages and protection levels.

The new **Guardian/GuardianX Series Filter Fans** offer the same convenience, versatility and reliability as the **Advantage Series Filter Fans** with the added protection of a NEMA 4 or 4X Rating, making these models an excellent choice for telecommunications and other outdoor applications.

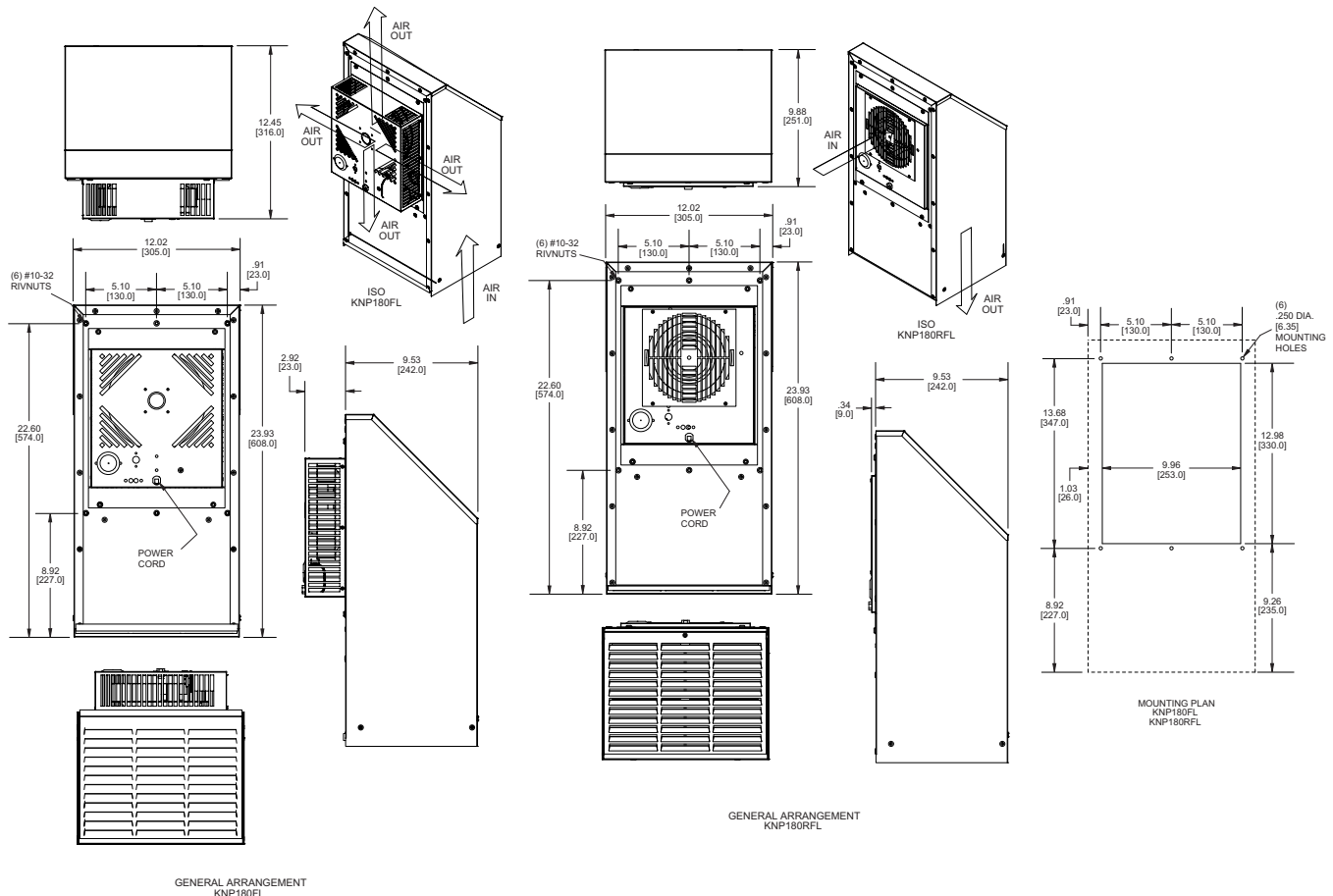
COMPONENT CHARACTERISTICS

- Standard airflow direction is from the outside to the inside of the cabinet.
- Filters are stable up to 100°C and 100% rh. (Filters are necessary in order to maintain NEMA 4 or 4X Rating).
- Filters guarantee a continuously high level of protection according to EU4, with a 94% separation efficiency according to DIN 24185 Standard. NOTE: Filter media is washable about 10 times.
- With filters, dust capacity is particularly high (620 g/m²), which reduces maintenance.

ACCESSORIES AND OPTIONS

- Filter-Hood Assembly (Recommended) P/N KNPA225FL(V)
- Other supply voltages, both AC and DC, are available on request.
- Replacement Filters for all models order Part Numbers 0429-01-06.
- T-Temperature Control (90°F) AC units only.
- B-Temperature Alarm (130°F).

DRAWINGS



HOW TO ORDER

Specify model number.

Dimensions, inches [mm], are for reference only and are subject to change.