

GUARDIAN/GUARDIANX SERIES NEMA 4 or 4X FILTER FANS KNP36FL(V)

TECHNICAL DATA



Model	Airflow Direction	NEMA Rating	Voltage	Hz	Input Amps	Input Watts	Max Airflow CFM*	Unit Airflow CFM**	Noise db(A)	Operating Temp. °F		Approx. Weight	
										Min.	Max	Lbs.	Kg.
KNP36FL	Intake	4	115	50/60	0.08	4.3	47	26	54	-40	158	3.7	1.7
KNP36RFL	Exhaust	4	115	50/60	0.08	4.3	52	26	55	-40	158	3.7	1.7
K2NP36FL	Intake	4	230	50/60	0.08	4.3	47	26	54	-40	158	3.7	1.7
K2NP36RFL	Exhaust	4	230	50/60	0.08	4.3	52	26	55	-40	158	3.7	1.7
KNP36FLV	Intake	4X	115	50/60	0.08	4.3	47	26	54	-40	158	3.7	1.7
KNP36RFLV	Exhaust	4X	115	50/60	0.08	4.3	52	26	55	-40	158	3.7	1.7
K2NP36FLV	Intake	4X	230	50/60	0.08	4.3	47	26	54	-40	158	3.7	1.7
K2NP36RFLV	Exhaust	4X	230	50/60	0.08	4.3	52	26	55	-40	158	3.7	1.7

* Fan airflow without filter and grille.

** NEMA Rated if installed with provided filter.



**NEMA
TYPE 4/4X
MAINTAINED**



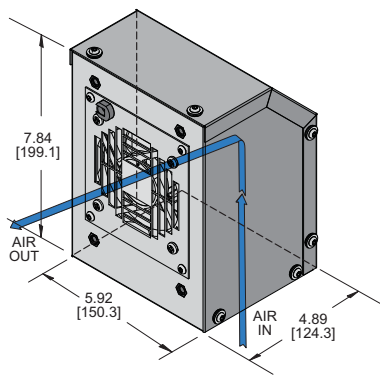
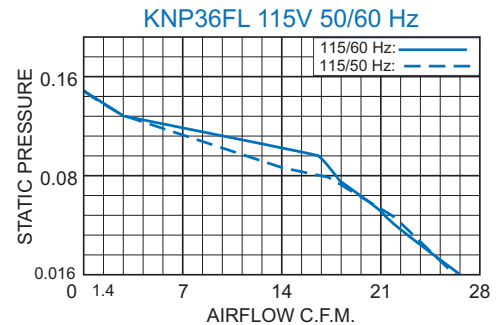
STANDARD FEATURES

- Baked Powder Finish
- Integrated Fan Guards
- Integrated Sealing Gasket
- IP55 Filter Protection
- NEMA 4 or 4X Rating Maintained (if used with provided filter)
- Secure Mounting
- Six foot [1.8m] (minimum) 3-wire power cord
- Stainless Steel Shell (NEMA 4X models)
- UL/CSA Ball Bearing Motors
- UL/CUL Listed
- Washable, Reuseable Filter

ACCESSORIES AND OPTIONS

- Filter-Hood Assembly (Recommended) P/N: KNPA36FL(V)
- Other voltages, both AC and DC
- Replacement Filters for all models (P/N: 0429-02-06)
- Reversed Airflow Direction

PERFORMANCE CHART



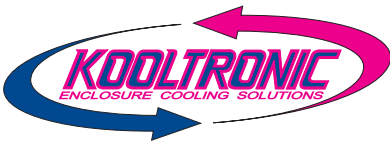
Find additional information on this model at kooltronic.com, or use the Technical Documents QR code below.

Technical Documents



For general ventilating use only. Do not use these fans to exhaust hazardous or explosive material or vapors.

NOT ALL SYSTEMS ARE SUITABLE FOR UTILIZING OUTSIDE AIR. To protect sensitive components against condensation an enclosure heater or closed-loop cooling is recommended. To protect sensitive components against corrosive elements closed-loop cooling is recommended.



GUARDIAN/GUARDIANX SERIES NEMA 4 or 4X FILTER FANS KNP36FL(V)

DESCRIPTION

Kooltronic has expanded its line of filter fans to include models offering the versatility and security of indoor or outdoor use. All **Guardian Series Filter Fans** have a **NEMA 4** Rating. The **GuardianX Series Filter Fans**, with a **NEMA 4X** Rating, are offered with a Stainless Steel Shell. The **Guardian/GuardianX Series Indoor/Outdoor Filter Fans** are a perfect choice for dissipating high heat loads economically. These models are available in a variety of sizes, voltages and protection levels.

The new **Guardian/GuardianX Series Filter Fans** offer the same convenience, versatility and reliability as the **Advantage Series Filter Fans** with the added protection of a NEMA 4 or 4X Rating, making these models an excellent choice for telecommunications and other outdoor applications.

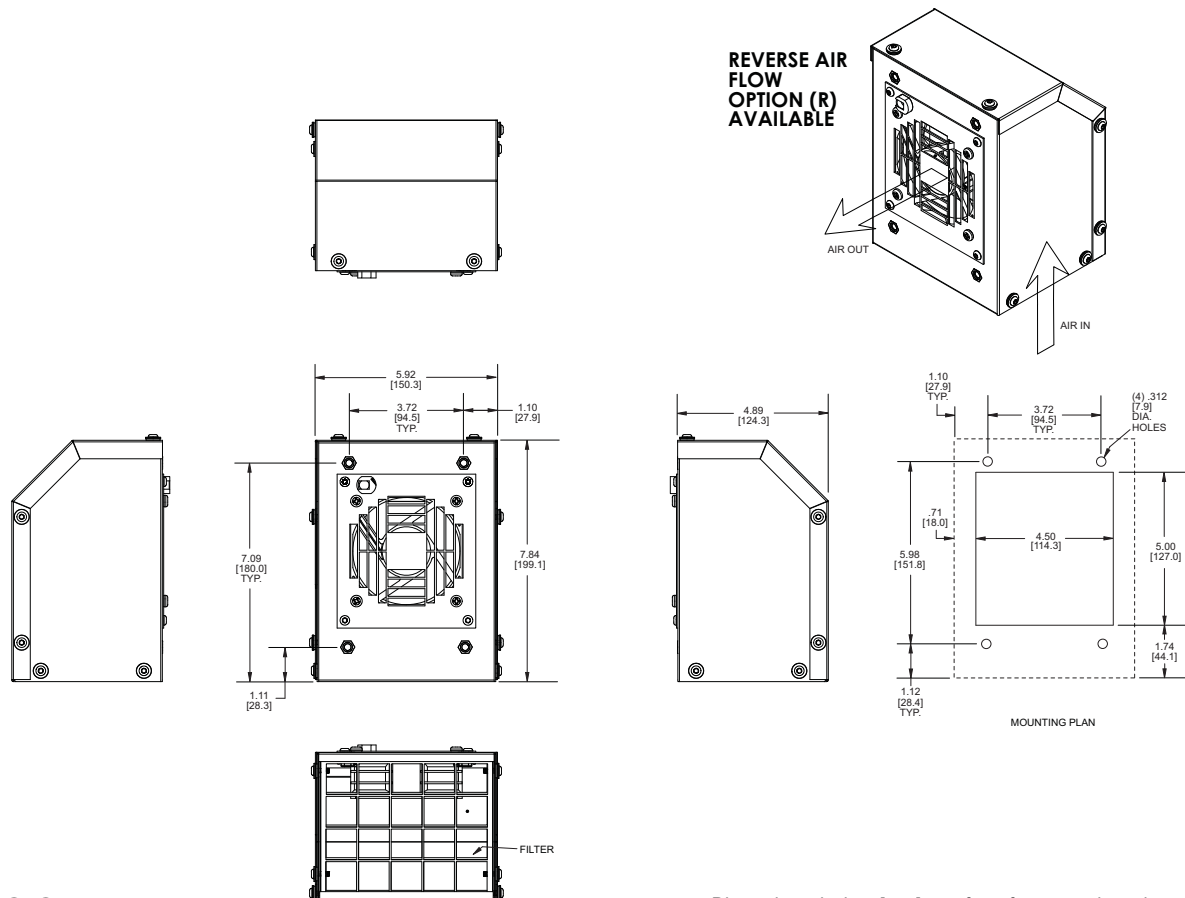
COMPONENT CHARACTERISTICS

- Standard airflow direction is from the outside to the inside of the cabinet.
- Filters are stable up to 100°C and 100% rh. (Filters are necessary in order to maintain NEMA 4 or 4X Rating).
- Filters guarantee a continuously high level of protection according to EU4, with a 94% separation efficiency according to DIN 24185 Standard.
NOTE: Filter media is washable about 10 times.
- With filters, dust capacity is particularly high (620 g/m²), which reduces maintenance.

ACCESSORIES AND OPTIONS

- Filter-Hood Assembly (Recommended) P/N: KNPA36FL(V).
- Other supply voltages, both AC and DC, are available on request.
- Replacement Filters for all models order Part Numbers 0429-02-06.
- Reversed Airflow Direction.

DRAWINGS



HOW TO ORDER

Specify model number. Filter fans can be supplied with reverse airflow direction. To order, add "R" after series number. Example: KNP36RFL.

Dimensions, inches [mm], are for reference only and are subject to change.