

GUARDIAN/GUARDIANX SERIES NEMA 4 or 4X FILTER FANS KNP60FL

TECHNICAL DATA



**NEMA
TYPE 4/4X
MAINTAINED**



Find additional information on this model at kooltronic.com, or use the Technical Documents QR code below.

Technical Documents



Model	Airflow Direction	NEMA Rating	Voltage	Input Amps	Input Watts	Fan Airflow CFM*	Unit Airflow CFM**	Noise db(A)	Operating Temp. °F		Approx. Weight	
									Min.	Max.	Lbs.	Kg.
KNP60FL	Intake	NEMA 4	115/60	0.34	37	290	92	61	-40	158	11.3	5.1
KNP60RFL	Exhaust	NEMA 4	115/60	0.34	37	290	92	61	-40	158	11.3	5.1
KNP60FL	Intake	NEMA 4	115/50	0.42	43	270	84	59	-40	158	11.3	5.1
KNP60RFL	Exhaust	NEMA 4	115/50	0.42	43	270	84	59	-40	158	11.3	5.1
K2NP60FL	Intake	NEMA 4	230/60	0.17	36	290	80	61	-40	158	11.3	5.1
K2NP60RFL	Exhaust	NEMA 4	230/60	0.17	36	290	80	61	-40	158	11.3	5.1
K2NP60FL	Intake	NEMA 4	230/50	0.2	37	270	70	59	-40	158	11.3	5.1
K2NP60RFL	Exhaust	NEMA 4	230/50	0.2	37	270	70	59	-40	158	11.3	5.1
K6NP60FL	Intake	NEMA 4	12 VDC	0.52	6.2	225	72	67	-40	167	11.3	5.1
K6NP60RFL	Exhaust	NEMA 4	12 VDC	0.52	6.2	225	72	67	-40	167	11.3	5.1
K7NP60FL	Intake	NEMA 4	24 VDC	0.6	14.4	230	72	54	-40	158	11.3	5.1
K7NP60RFL	Exhaust	NEMA 4	24 VDC	0.6	14.4	230	72	54	-40	158	11.3	5.1
K8NP60FL	Intake	NEMA 4	48 VDC	0.36	16.8	240	40	58	-40	158	11.3	5.1
K8NP60RFL	Exhaust	NEMA 4	48 VDC	0.36	16.8	240	40	58	-40	158	11.3	5.1
KNP60FLV	Intake	NEMA 4X	115/60	0.34	37	290	92	61	-40	158	11.3	5.1
KNP60RFLV	Exhaust	NEMA 4X	115/60	0.34	37	290	92	61	-40	158	11.3	5.1
KNP60FLV	Intake	NEMA 4X	115/50	0.42	43	270	84	59	-40	158	11.3	5.1
KNP60RFLV	Exhaust	NEMA 4X	115/50	0.42	43	270	84	59	-40	158	11.3	5.1
K2NP60FLV	Intake	NEMA 4X	230/60	0.17	36	290	80	61	-40	158	11.3	5.1
K2NP60RFLV	Exhaust	NEMA 4X	230/60	0.17	36	290	80	61	-40	158	11.3	5.1
K2NP60FLV	Intake	NEMA 4X	230/50	0.2	37	270	70	59	-40	158	11.3	5.1
K2NP60RFLV	Exhaust	NEMA 4X	230/50	0.2	37	270	70	59	-40	158	11.3	5.1
K6NP60FLV	Intake	NEMA 4X	12 VDC	0.52	6.2	225	72	67	-40	167	11.3	5.1
K6NP60RFLV	Exhaust	NEMA 4X	12 VDC	0.52	6.2	225	72	67	-40	167	11.3	5.1
K7NP60FLV	Intake	NEMA 4X	24 VDC	0.6	14.4	230	72	54	-40	158	11.3	5.1
K7NP60RFLV	Exhaust	NEMA 4X	24 VDC	0.6	14.4	230	72	54	-40	158	11.3	5.1
K8NP60FLV	Intake	NEMA 4X	48 VDC	0.36	16.8	240	40	58	-40	158	11.3	5.1
K8NP60RFLV	Exhaust	NEMA 4X	48 VDC	0.36	16.8	240	40	58	-40	158	11.3	5.1

* Fan airflow without filter and grille.

** NEMA Rated if installed with provided filter.

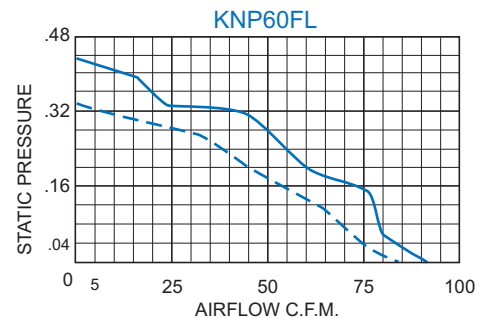
STANDARD FEATURES

- Baked Powder Finish
- Integrated Fan Guards
- Integrated Sealing Gasket
- IP55 Filter Protection
- NEMA 4 or 4X Rating Maintained (if used with provided filter)
- Secure Mounting
- Six foot [1.8m] (minimum) 3-wire power cord
- Stainless Steel Shell (NEMA 4X models)
- UL/CSA Shielded Ball Bearing Motors
- UL/CUL Listed
- Washable, Reuseable Filter

ACCESSORIES AND OPTIONS

- Filter-Hood Assembly - (Recommended) - (P/N: KNPA60FL(V))
- Other voltages, both AC and DC
- Replacement Filters (P/N: 0429-01-01)
- Reversed Airflow Direction

PERFORMANCE CHART



Airflow vs. static pressure curves are shown for 60 Hz (solid line) and 50 Hz (broken line) inputs. Static pressure is in inches of water.

For general ventilating use only. Do not use these fans to exhaust hazardous or explosive material or vapors.

NOT ALL SYSTEMS ARE SUITABLE FOR UTILIZING OUTSIDE AIR. To protect sensitive components against condensation an enclosure heater or closed-loop cooling is recommended. To protect sensitive components against corrosive elements closed-loop cooling is recommended.

Dimensions, inches [mm], are for reference only and are subject to change.

knp60fl.qxd (6/28/21) (CDR: 20336)



GUARDIAN/GUARDIANX SERIES NEMA 4 or 4X FILTER FANS KNP60FL

DESCRIPTION

Kooltronic has expanded its line of filter fans to include models offering the versatility and security of indoor or outdoor use. All **Guardian Series Filter Fans** have a **NEMA 4** Rating. The **GuardianX Series Filter Fans**, with a **NEMA 4X** Rating, are offered with a Stainless Steel Shell. The **Guardian/GuardianX Series Indoor/Outdoor Filter Fans** are a perfect choice for dissipating high heat loads economically. These models are available in a variety of sizes, voltages and protection levels.

The new **Guardian/GuardianX Series Filter Fans** offer the same convenience, versatility and reliability as the **Advantage Series Filter Fans** with the added protection of a NEMA 4 or 4X Rating, making these models an excellent choice for telecommunications and other outdoor applications.

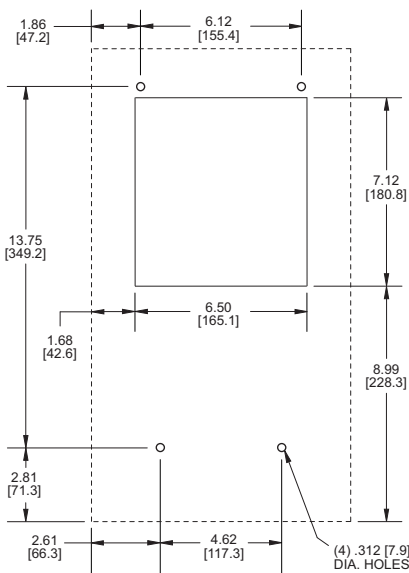
COMPONENT CHARACTERISTICS

- Standard airflow direction is from the outside to the inside of the cabinet.
- Filters are stable up to 100°C and 100% rh. (Filters are necessary in order to maintain NEMA 4 or 4X Rating).
- Filters guarantee a continuously high level of protection according to EU4, with a 94% separation efficiency according to DIN 24185 Standard.
NOTE: Filter media is washable about 10 times.
- With available filters, dust capacity is particularly high (620 g/m²), which reduces maintenance.

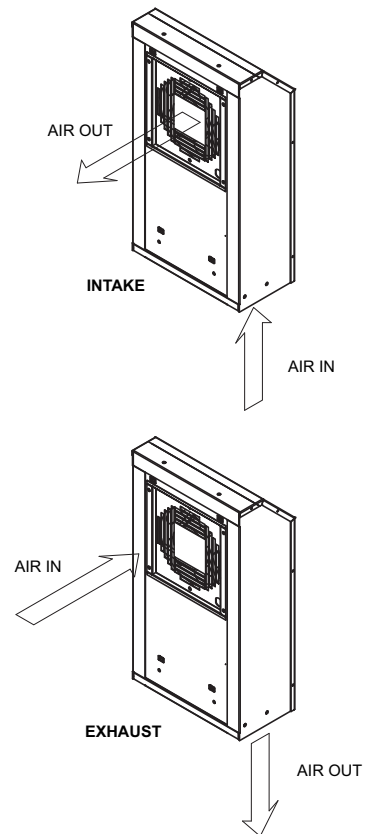
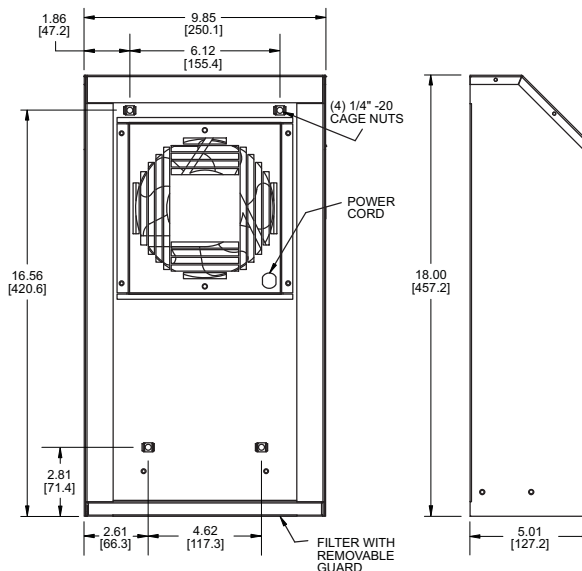
ACCESSORIES AND OPTIONS

- Other supply voltages, both AC and DC, are available on request.
- Filter fans can be supplied with reversed airflow direction (from inside the cabinet to outside). To order, add "R" after series number. Example: KNP60RFL.
- Depending on the request and quantity, parts can be supplied in different colors.
- Filter-Hood Assembly - (Recommended) - (P/N: KNPA60FL(V)).
- Relacement Filters (P/N 0429-01-01).

DRAWINGS



MOUNTING PLAN



HOW TO ORDER

Specify model number. Filter fans can be supplied with reverse airflow direction. To order, add "R" after series number. Example: KNP60RFL.