



NP33 TRIMLINE AIR-COOLED PANEL-MOUNTED AIR CONDITIONERS

with Serial Numbers M17A4068 and above

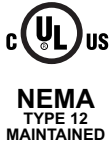
Legacy products are no longer in normal production. Consult factory for availability. Recommended replacement: See *Guardian/GuardianX* or *SlimKool Series*.



TECHNICAL DATA

Model	NEMA Rating	UL/CUL Listed or Recognized	BTU/H Capacity	95/95 Rating	Ambient Temp		Volts	Hz	Running Amps	Fuse Amps	Approx. Weight	
					°F	°C					lbs	kg
KA4C4NP33L	12	Listed	4000	2770	125/50	52/10	115/100	60/50	9.3/10.0	15	90	41
K2A4C4NP33L	12	Listed	4000	2283	120/50	49/10	230/200	60/50	5.5	15	90	41

Rating shown is for operation at maximum ambient temperature.



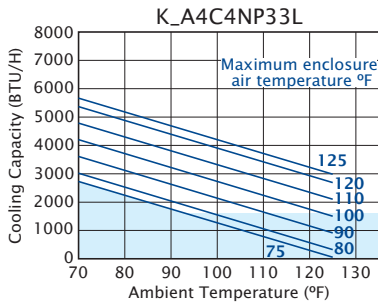
STANDARD FEATURES

- Baked Powder Finish
- Built-in Condensate Evaporator
- CFC-Free Refrigerant
- Closed Loop Cooling
- Compressor Short Cycle Protector
- Filter
- Low Ambient Kit
- NEMA 12 Rating Maintained (UL50)
- Programmable Thermostat
- Programmable Temperature Alarm
- UL/CUL Listed

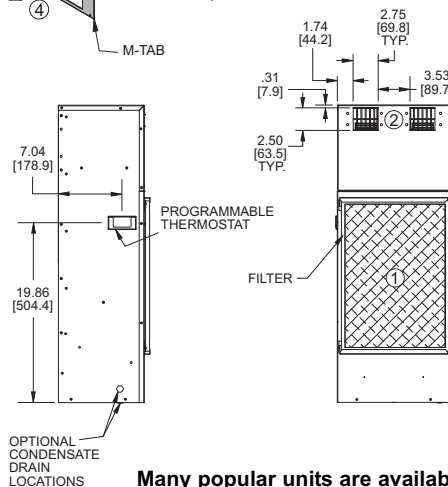
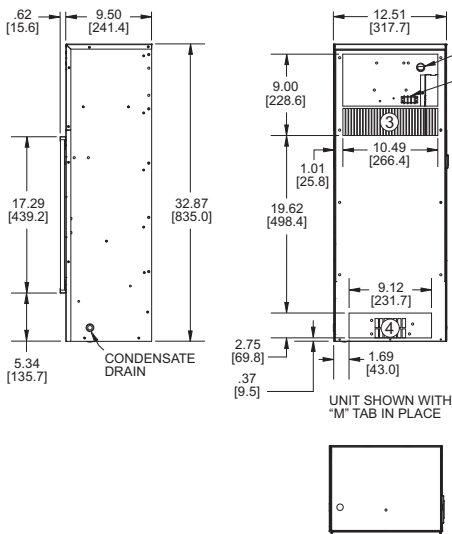
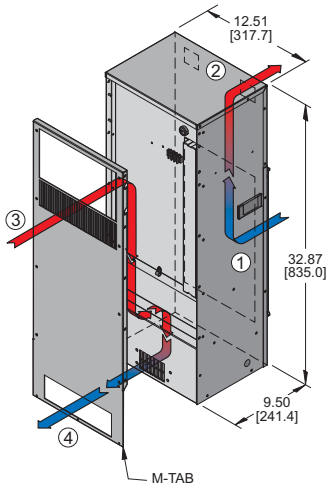
ACCESSORIES AND OPTIONS

- Filter Recoating Adhesive
- Internal Corrosion Protection
- Lifting Eyes
- Remote Monitoring
- Remote Thermostat Relay
- Replacement Filters
- Special controls or indicators
- Special materials or finishes
- Special motors, line cords, or connectors
- Stainless or Aluminum Shell

PERFORMANCE



- FILTERED CONDENSER AIR INLET (Ambient Air In)
- CONDENSER OUTLET (Warm Ambient Air Out)
- WARM AIR RETURN FROM ENCLOSURE
- COOL AIR OUTLET TO ENCLOSURE

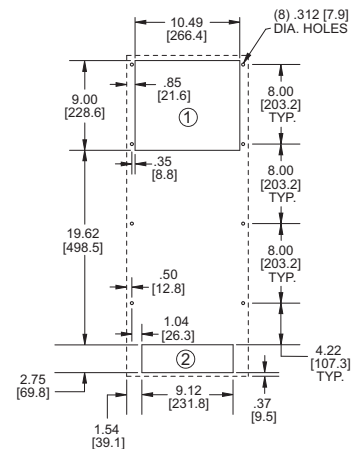


Find additional information on this model at kooltronic.com, or use the Technical Documents QR code below.



Technical Documents

Many popular units are available as 3D solid models for customer system integration. Please contact Kooltronic for details.



MOUNTING PLAN

Dimensions, inches [mm], are for reference only and subject to change.

np33.qxd (10/29/21) (CDR: 20369)



NP33 TRIMLINE AIR-COOLED PANEL-MOUNTED AIR CONDITIONERS with Serial Numbers M17A4068 and above

DESCRIPTION

The **TrimLine NP33 Series** consists of compact models with a capacity of 4,000 BTU/H. This series is designed with a minimum width to take up less cabinet space on the exterior panel or door.

Corrosive environments require special internal and external protective features. Also see Guardian/GuardianX and SlimKool NEMA 4/4X Series.

For extreme ambient temperatures and/or severely contaminated environments, the use of **TrimLine** or other **Water-Cooled Air Conditioners** is recommended.

KOOLTRONIC also designs and manufactures a variety of Air Conditioners to meet *unique* specifications. We invite your inquiries about our modification and custom-design capabilities.

FEATURES AND BENEFITS (STANDARD)

All models UL/CUL Listed, a standard of safety.

Built-in condensate evaporator eliminates the need for a drain (normal operation*).

CFC-free refrigerant provides a zero ozone depletion potential.

Closed-loop cooling provides stable temperature control while excluding dust and humidity from the electrical enclosure.

Condenser impeller cycling provides stable capacity and temperature control.

Condenser filtration to maintain peak thermal performance extends compressor life.

Low Ambient Kit maintains sufficient operating pressures when ambient temperatures drop below 50°F [10°C].

NEMA 12 rating for compatibility with listed electrical enclosures.

Programmable temperature alarm to alert if early action required.

Programmable thermostat capable of remote monitoring and control.

* May not be adequate in extremely high humidity with open or leaky enclosure. Overflow condensate drain fitting and hose are included.

FEATURES AND BENEFITS (OPTIONAL)*

Aluminum Shell if lightweight and/or compatibility with aluminum enclosures is required.

Enclosure heater eliminates damaging condensation, increasing reliability of electrical enclosure components.

Mounting adapter plates are offered to replace another manufacturer's unit.

Remote monitoring provides temperature data for warning of early action required.

Remote thermostat relay for control by a user-supplied control system.

Stainless Steel Shell for applications in corrosive or other hostile environments.

Special paint finishes.

*Contact KOOLTRONIC for more information.

REPLACEMENT FILTERS

The NP33 filter Part No. is 12251F (16.63" x 11.88" x 0.50" [422mm x 302mm x 13mm])

