

NPT33 TRIMLINE AIR-COOLED PANEL-MOUNTED CONDITIONERS

Legacy products are no longer in normal production. Consult factory for availability. Recommended replacement: See *Guardian/GuardianX* or *SlimKool* Series.



**NEMA
TYPE 12 & 3R
MAINTAINED**

TECHNICAL DATA

Model	NEMA Rating	UL/CUL Listed or Recognized	BTU/H Capacity	95/95 Rating BTU/H	Ambient Temp		Volts	Hz	Running Amps	Approx. Weight	
					°F Max./Min.	°C Max./Min.				lbs	kg
KA6C4NPT33L	12/3R	Listed	4000	3200	131/-20	55/-28	115	60	8.3	71	33
K2A6C4NPT33L	12/3R	Listed	4000	3200	125/-20	52/-28	230	60	3.7	71	33
K2A6C4NPT33L	12/3R	Listed	4000	3200	123/-20	51/-28	208	60	4.0	71	33

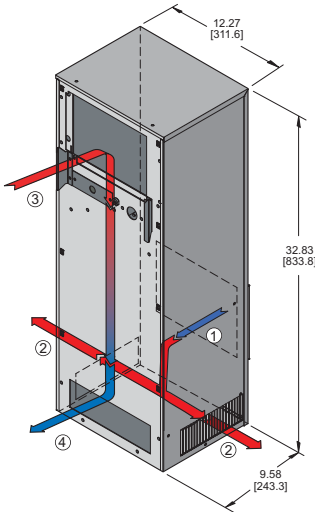
Rating shown is for operation at maximum ambient temperature.

STANDARD FEATURES

- Built-in Condensate Evaporator
- Closed-Loop Cooling
- Condenser Impeller Controller
- Filter
- High Pressure Protector
- Low Temperature Control Thermostat
- NEMA 12 & 3R Ratings Maintained (UL50)
- UL/CUL Listed
- Zero ODP Refrigerant

ACCESSORIES AND OPTIONS

- Compressor Short Cycle Protector
- Enclosure Heater
- Filter Recoating Adhesive
- Internal Corrosion Protection
- Remote Thermostat Relay
- Replacement Filters
- Special controls or indicators
- Special materials or finishes
- Special motors, line cords, or connectors
- Stainless or Aluminum Shell
- Temperature Alarm



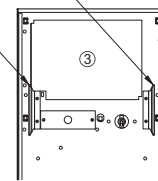
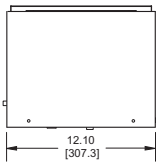
- CONDENSER AIR INLET (Ambient Air In)
- CONDENSER OUTLET (Warm Ambient Air Out)
- WARM AIR RETURN FROM ENCLOSURE
- COOL AIR OUTLET TO ENCLOSURE

Technical Documents

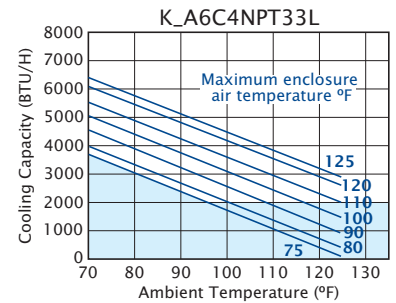


Find additional information on this model at kooltronic.com, or use the Technical Documents QR code below.

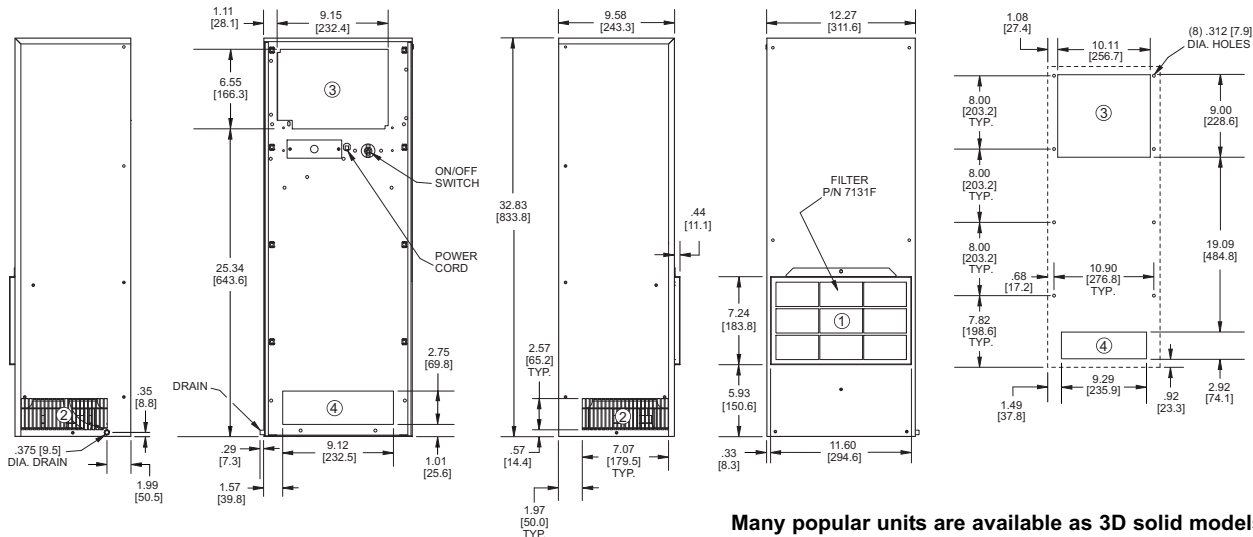
CUSTOMER'S OPTION FOR EASE OF INSTALLATION: INSTALL (2) PROVIDED HOOKS P/N 250043-00-22GLV



PERFORMANCE CHART



Operation within shaded areas not recommended.



Dimensions, inches [mm], are for reference only and subject to change.

Many popular units are available as 3D solid models for customer system integration. Please contact Kooltronic for details.

npt33.qxd (10/29/21) (CDR: 20369)



NPT33 TRIMLINE AIR-COOLED PANEL-MOUNTED CONDITIONERS

DESCRIPTION

Innovations in technology have resulted in much denser components packaging and smaller available panel sizes on which to mount air conditioners. The KOOLTRONIC *TrimLine Series* is the response to these new packaging demands with the narrow width panel-mount air conditioners. In addition to being more narrow than traditional air conditioner units, the *TrimLine Series* include the Condensate Evaporator and Low Temperature Control Thermostat as standard features and are available in all popular voltages and frequencies.

The *TrimLine NPT33L* has a capacity of 4,000 BTU/H. The *NPT33L* models are NEMA Type 12 & 3R Maintained (UL50). These compact models are designed with a minimum width to take up less cabinet space on the exterior panel or door.

Outdoor or corrosive environments require weather protection and/or special internal and external protective features. Also see *Guardian/GuardianX Series*, *Advantage Indoor/Outdoor* and *Intrepid Outdoor Series*.

For extreme ambient temperatures and/or severely contaminated environments, the use of *TrimLine* or other *Water-Cooled Air Conditioners*, or the *GuardianX Series* is recommended.

KOOLTRONIC also designs and manufactures a variety of Air Conditioners to meet *unique specifications*. We invite your inquiries about our modification and custom-design capabilities.

STANDARD FEATURES

BAKED POWDER FINISH: Durable, baked-on gray powder finish is standard. Other finishes are available.

BALL-BEARING MOTORS: All blower motors are UL/CSA Recognized and include automatic-reset thermal overload protection and double-sealed or double-shielded precision ball bearings. Special permanent lubricants perform over a broad temperature range: -20°F [-28.9°C] to 250°F [121.1°C].

BLOWERS: All centrifugal blowers are Kooltronic-designed and built, to provide optimum airflow and pressure for each air conditioner design.

CLOSED-LOOP COOLING: The enclosure interior airflow system is isolated from the ambient airflow system. Ambient air can not invade the cool, dehumidified sensitive component compartment.

CONDENSATE EVAPORATOR: Built-in Condensate Evaporator eliminates need for draining condensate under normal operating conditions. May not be adequate in extremely high humidity with open or leaky enclosure. Overflow condensate drain fitting and hose are included.

CONDENSER IMPELLER CONTROLLER: Utilizes a discharge pressure switch. At low ambient temperature the refrigerant discharge pressure drops below the pressure switch point, shutting the Condenser Impeller off. When the discharge pressure rises above the set point, the pressure switch contacts close, starting the Condenser Impeller.

FILTERS: Multi-layer grid of sturdy, corrugated aluminum in an aluminum frame. May be reused after washing off accumulations and spraying with A-16 Recoating Adhesive.

GASKETING: All units are fully gasketed for tight, leakproof installation, in compliance with the NEMA 12 & 3R Enclosure Ratings.

INSULATION: All cold components, lines and the evaporator compartment are insulated with high-performance insulation for maximum efficiency.

LOW TEMPERATURE CONTROL THERMOSTAT: Prevents over-cooling and provides energy-efficient operation.

POWER: Available in 115, 230 and 208 VAC, 60 Hz.

POWER CORD: All models have six foot [1.8m] 3-wire power cord. Those rated at 16.0 Amps or less are supplied with appropriate plugs. Those rated at more than 16.0 Amps are supplied without plugs, for direct wiring to power source.

QUALITY ASSURANCE: Refrigeration system components are kept sealed until charged with refrigerant; all brazed joints are thoroughly leak-tested; each unit is functionally tested before shipment.

RUGGED CONSTRUCTION: Precision-engineered heavy gauge steel construction of all shells and blowers insures air conditioners will stand up under tough applications.

REFRIGERANT: All *TrimLine NPT33 Series* Air Conditioners contain Zero Ozone Depleting Potential (ODP) R410a Refrigerant.

UL/CUL LISTED: All *TrimLine NPT33 Series* models are *UL/CUL Listed*.

ACCESSORIES AND OPTIONS**

FACTORY-INSTALLED OPTIONS:

ALUMINUM SHELL: Where light weight and/or compatibility with appearance of Aluminum Enclosures are required. Unpainted Type 5052 is standard. Other types and ultra-violet-resistant baked powder finish are available.

Append letter "A" to Part No. (5052 Unpainted)

COMPRESSOR SHORT CYCLE PROTECTOR: Protects the compressor from possible damage due to harmful short cycling.

Append letter "Y" to Part No.

**Contact KOOLTRONIC for information.



NPT33 TRIMLINE AIR-COOLED PANEL-MOUNTED CONDITIONERS

ACCESSORIES AND OPTIONS** (continued)

ENCLOSURE HEATER: A fin strip heater used to maintain desired internal enclosure temperature under cold operating conditions.

Append letter "F" to Part No.

INTERNAL CORROSION PROTECTION: For corrosive or other hostile environments, special coating material is applied to copper lines, coils and other parts subject to damage. Also see **Stainless Steel Shell, Guardian/GuardianX or Integrity NEMA 4/4X Air Conditioners.**

Append letter "H" to Part No.

SPECIAL MATERIALS OR FINISHES**

SPECIAL MOTORS, LINE CORDS OR CONNECTORS**

STAINLESS STEEL SHELL: For applications in corrosive or other hostile environments such as those requiring Internal Corrosion Resistant Coatings, especially where chemical/moisture combinations are present.

Append letter "V" to Part No. (304-2B Unpainted)

TEMPERATURE ALARM: A thermostat is mounted inside the cabinet and attached to a sensor in the warm air return. When the air temperature increases to the set point, a signal is sent to a terminal block. User-installed wiring from the terminal block to local and/or remote warning devices (*light, bell, siren, etc.*) can be for normally open or closed operation.

Append letter "B" to Part No.

CUSTOMER-INSTALLED OPTIONS:

FILTER RECOATING ADHESIVE: This compound is a superior product for recoating filters after washing. The adhesives penetrate dirt layers to keep the filter surface tacky for longer effective performance between washings. Part No. A-16.

REPLACEMENT FILTERS: All KOOLTRONIC filters consist of a multi-layer grid of sturdy corrugated aluminum, securely held in a one-piece aluminum frame. Filters are required wherever air is drawn into an electronics enclosure or related cooling equipment to keep internal parts as clean as possible.

A non-drying adhesive coating traps a high percentage of particulate matter. These filters are reuseable, they may be washed and recoated with the appropriate filter recoating adhesive. Replacements are available for those which become damaged or otherwise non-serviceable.

For **NPT33 Series** models the replacement filter Part No. is 7131F (7.50" x 11.50" x .38" [190.5mm x 292.1mm x 9.7mm])

**Contact KOOLTRONIC for information.

KOOLTRONIC also designs and manufactures a variety of Air Conditioners to meet *unique* specifications. We invite your inquiries about our modification and custom-design capabilities.

HOW TO ORDER

Specify model number. NOTE: Accessories and Options may affect model number, contact KOOLTRONIC for information.

For assistance in model selection, refer to the [Air Conditioner Sizing and Selection Guide](#), contact KOOLTRONIC, or use one of our design aid software programs, available FREE.

CALL 1-800-321-KOOL (5665)
or FAX 609-466-1114



**POPULAR MODELS ARE
STOCKED AND READY TO SHIP**