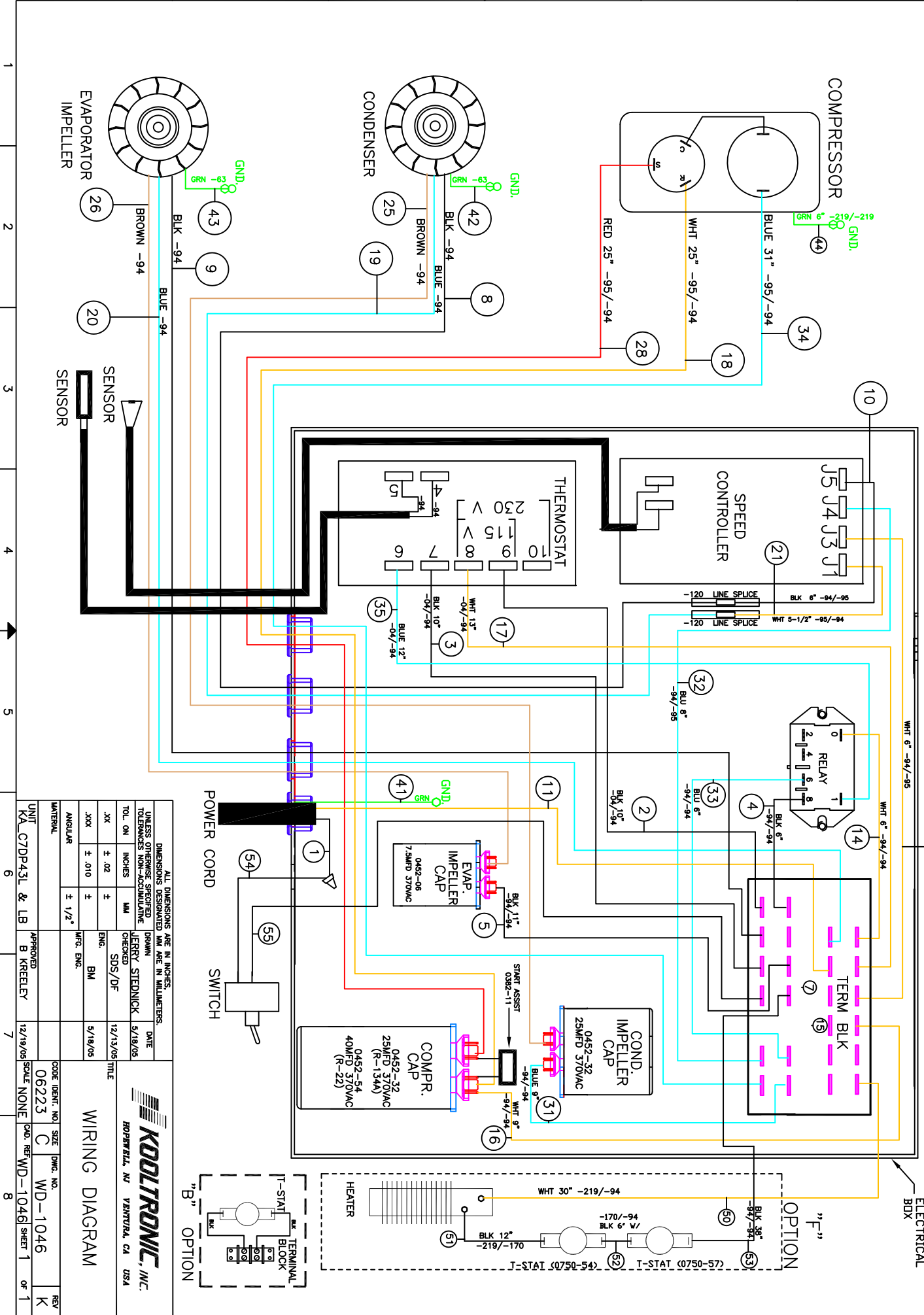


THIS DOCUMENT IS THE PROPERTY OF KOOLTRONIC, INC. AND CONTAINS PROPRIETARY AND CONFIDENTIAL INFORMATION WHICH MUST NOT BE DUPLICATED, USED OR DISCLOSED OTHER THAN AS EXPRESSLY AUTHORIZED BY KOOLTRONIC, INC.  
 K EC 15/6/20 CHANGED WIRE TERMINALS ON WIRES #8 & #25. W/S - 04/12/10/15/US

REV	DATE	DESCRIPTION	BY	CHKD
C	EC 07/8332	ADDED P/N TO CAPACITOR 0482-32 25 WVD	RDW	
D	ER 07/1016	ADDED "R" OPTION	JS	
E	ER 08/0118	ADDED START ASS'T TO COMPRESSOR CAPACITOR	SDS	
F	ER 08/0283	ADDED "T" SINGLE HEATER OPTION	RDW	
G	EC 11/281	30 W/S 25 WVL. HEATER WIRE	RDW/AMV	
H	EC 13/700	ADDED GROUND WIRE TO COMPRESSOR	3/25/13/MEW/JS	
J	EC 14/1770	REMOVED START SUPPRESSOR	5/22/14/LW/	

REV	DATE	DESCRIPTION	BY	CHKD
A	ER 05/055	NEW DRAWING RELEASE	JS	
B	EC 05/459	ADDED -95 TERMINAL TO WIRE ASSY. P/N# #10, #12, #21, #32	RDW	
B	EC 06/301	ADDED P/N#s TO CAPACITORS	9/22/08/ RDW/MEW	



DIMENSIONS DESIGNATED MM ARE IN MILLIMETERS, UNLESS OTHERWISE SPECIFIED		DIMENSIONS DESIGNATED INCHES ARE IN INCHES, UNLESS OTHERWISE SPECIFIED	
TOL. ON INCHES	TOLERANCES NON-ACCUMULATIVE	TOL. ON MM	TOLERANCES NON-ACCUMULATIVE
.XX	± .02	MM	±
.XXX	± .010	MM	±
ANGULAR	± 1/2°	MM	±

DATE: 12/13/05  
 CHECKED: SDS/DF  
 DATE: 5/19/05  
 ENG.: BM  
 MFG. ENG.:

**KOOLTRONIC, INC.**  
 HOPWELL, NJ VERMONT, CA USA

**WIRING DIAGRAM**

UNIT	KA_C7DP43L & LB	APPROVED	B KREILEY	12/19/05	SCALE	NONE
CODE IDENT. NO.	06223	SIZE	WD-1046	DWG. NO.		
REV	K	SHEET	1	OF	1	