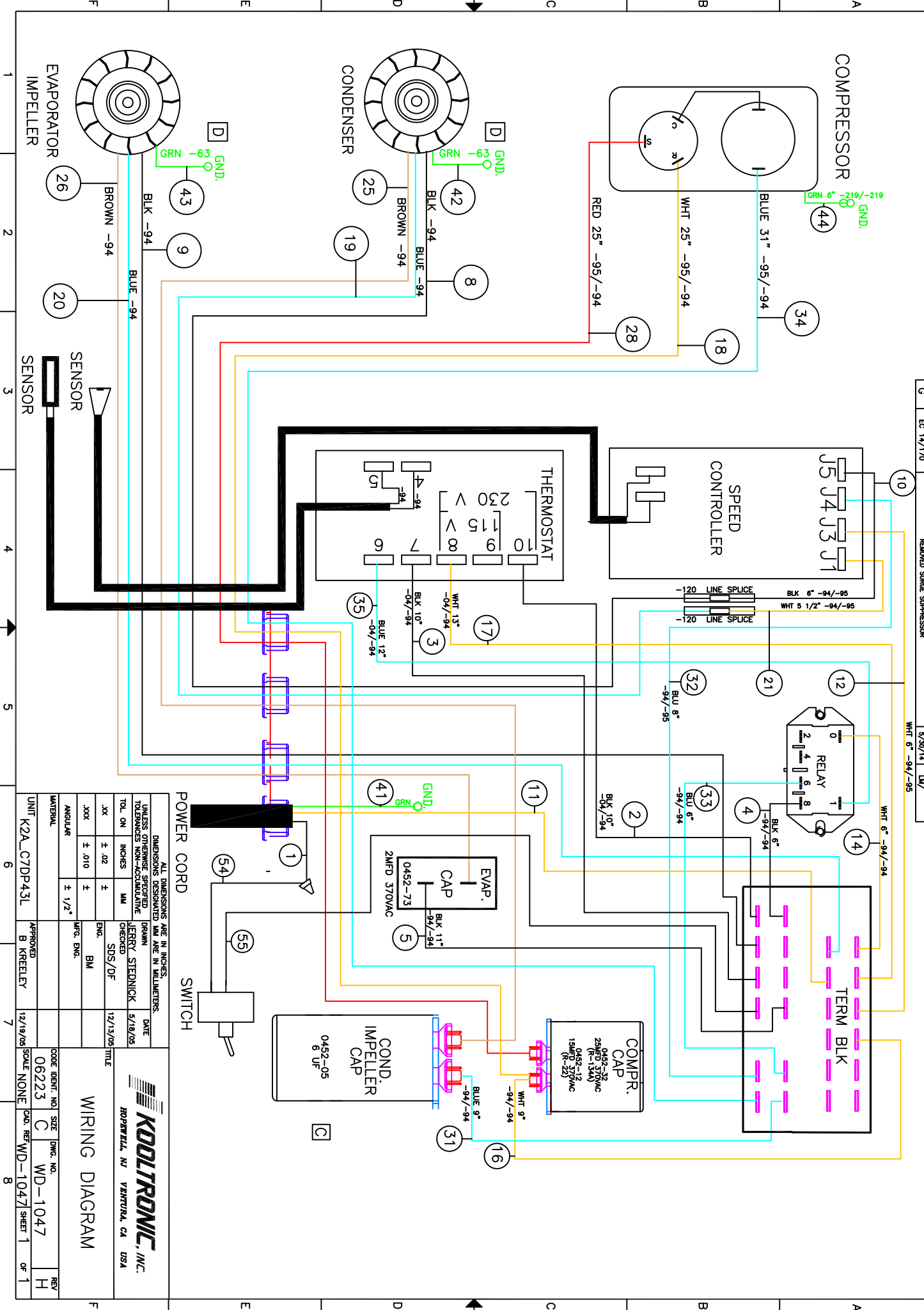


THIS DOCUMENT IS THE PROPERTY OF KOOLTRONIC, INC. AND CONTAINS PROPRIETARY AND CONFIDENTIAL INFORMATION WHICH MUST NOT BE DUPLICATED, USED OR DISCLOSED OTHER THAN AS EXPRESSLY AUTHORIZED BY KOOLTRONIC, INC.

REV	DESCRIPTION	DATE	APPROVED
B	EC 06/201	9/22/06	RDW
C	EC 06/291	1/7/06	RDW/JS
D	EC 06/299	1/27/06	SDS/
E	EC 12/02	3/22/13	DM/
F	EC 13/100	5/23/13	MEM/JS
G	EC 14/170	5/20/14	LM/

REV	DESCRIPTION	DATE	APPROVED
A	NEW DRAWING RELEASE	5/19/05	JS
	ADDED 049-08 TERMINAL TO WIRE P/N# #10, #12, #21, #32	12/06	RDW



UNIT	APPROVED	DATE	SCALE	SHEET	OF
K2A_C7DP43L	B KREELEY	12/19/05	NONE	1	1

UNITS	APPROVED	DATE	SCALE	SHEET	OF
K2A_C7DP43L	B KREELEY	12/19/05	NONE	1	1

**KOOLTRONIC, INC.**  
 HOPWELL, NJ VENTURA, CA USA

**WIRING DIAGRAM**

CODE IDENT. NO. 06223  
 SIZE C  
 DWG. NO. WD-1047  
 CAD. REF. WD-1047  
 SHEET 1 OF 1