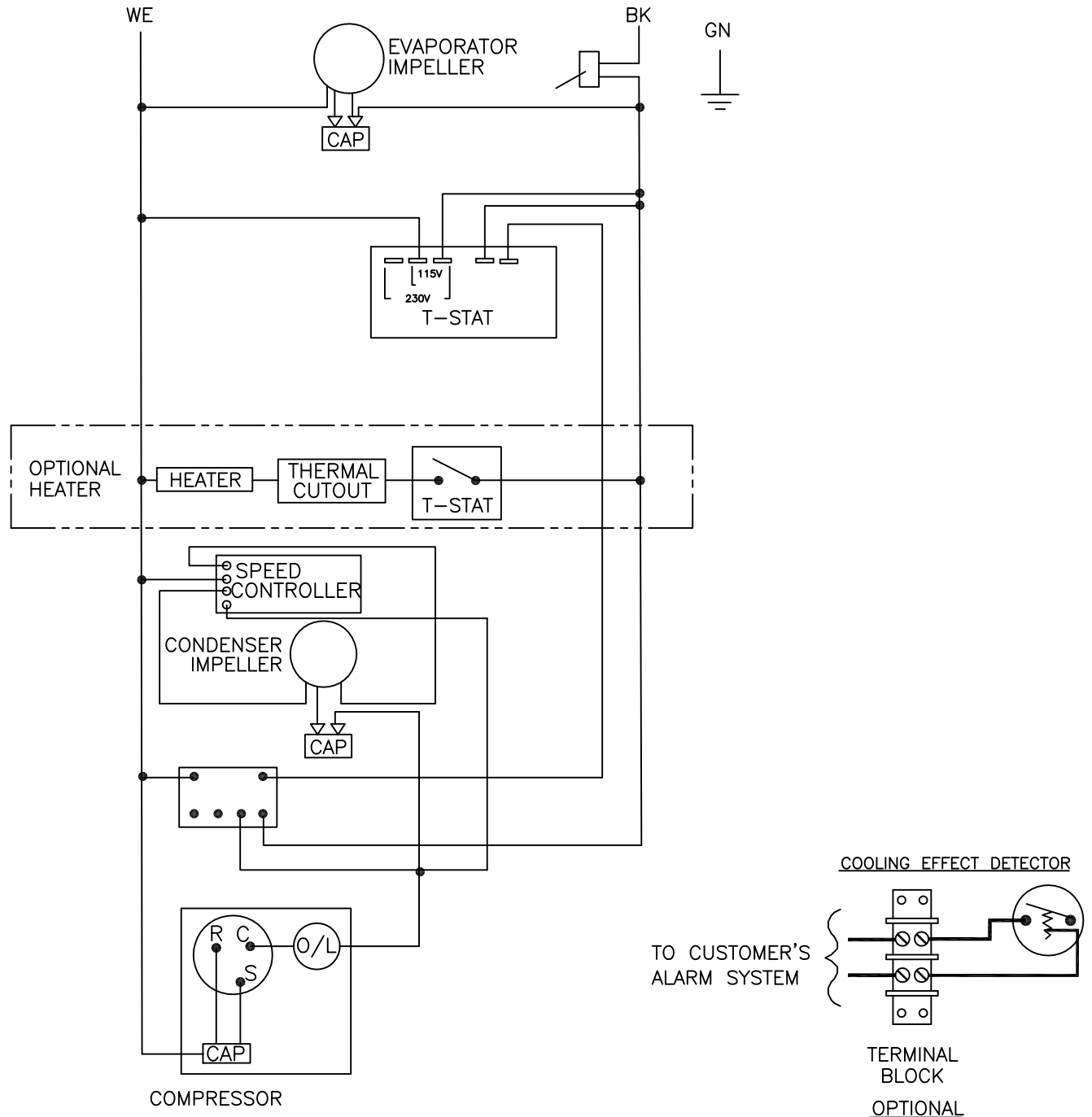


THIS DOCUMENT IS THE PROPERTY OF KOOLTRONIC, INC. AND CONTAINS PROPRIETARY AND CONFIDENTIAL INFORMATION WHICH MUST NOT BE DUPLICATED, USED OR DISCLOSED TO OTHERS, EXCEPT AS EXPRESSLY AUTHORIZED IN WRITING BY KOOLTRONIC, INC.

REVISIONS

SYM	NOTICE	DESCRIPTION	DATE	APPROVED
-	ER 05/055	NEW DRAWING RELEASE	5/18/05	JS
A	EC 14/170	REMOVED SURGE SUPPRESSOR	5/22/14	LM/



ALL DIMENSIONS ARE IN INCHES,
DIMENSIONS DESIGNATED MM ARE IN MILLIMETERS.

UNLESS OTHERWISE SPECIFIED
TOLERANCES NON-ACCUMULATIVE

TOL. ON	INCHES	MM
.XX	± .02	±
.XXX	± .010	±
ANGULAR	± 1/2°	

DRAWN JERRY STEDNICK	DATE 5/18/05
CHECKED	
ENG.	
MFG. ENG.	



WIRING DIAGRAM

MATERIAL	APPROVED	CODE IDENT. NO. 06223	SIZE A	DWG. NO. WD-1050	REV A
UNITS DP43L & DP47L		SCALE N/A	CAD. REF.	WD-1050	SHEET 1 OF 1