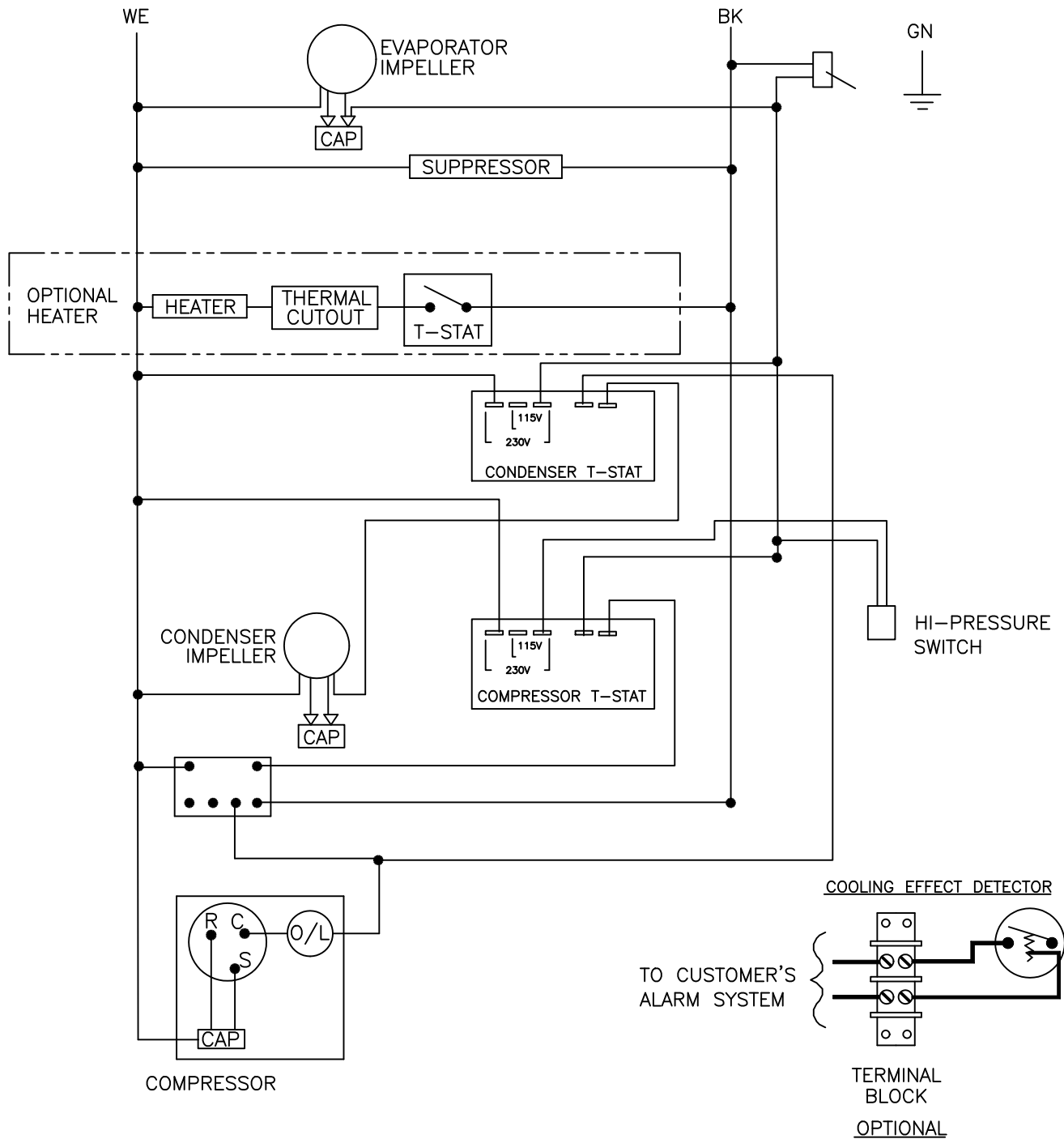


THIS DOCUMENT IS THE PROPERTY OF KOOLTRONIC, INC. AND CONTAINS PROPRIETARY AND CONFIDENTIAL INFORMATION WHICH MUST NOT BE DUPLICATED, USED OR DISCLOSED TO OTHERS, EXCEPT AS EXPRESSLY AUTHORIZED IN WRITING BY KOOLTRONIC, INC.

REVISIONS

SYM	NOTICE	DESCRIPTION	DATE	APPROVED
-	ER 06/017	NEW DRAWING RELEASE	7/25/06	JS
A	EC 09/692	ADDED HI-PRESSURE SWITCH	12/17/09	JS



ALL DIMENSIONS ARE IN INCHES, DIMENSIONS DESIGNATED MM ARE IN MILLIMETERS.



UNLESS OTHERWISE SPECIFIED TOLERANCES NON-ACCUMULATIVE			DRAWN	DATE
TOL. ON	INCHES	MM	JERRY STEDNICK	7/6/06
.XX	± .02	±	CHECKED	
.XXX	± .010	±	STEVE SCHMIERER	7/21/06
ANGULAR		± 1/2°	ENG.	
			BORIS MUZIKANT	7/6/06
			MFG. ENG.	
MATERIAL			APPROVED	
UNITS			B KREELEY	8/18/06

WIRING DIAGRAM
Cond and comp tstat

CODE IDENT. NO.	SIZE	DWG. NO.	REV
06223	A	WD-1139	A
SCALE	CAD. REF.	SHEET	1 OF 1
N/A			