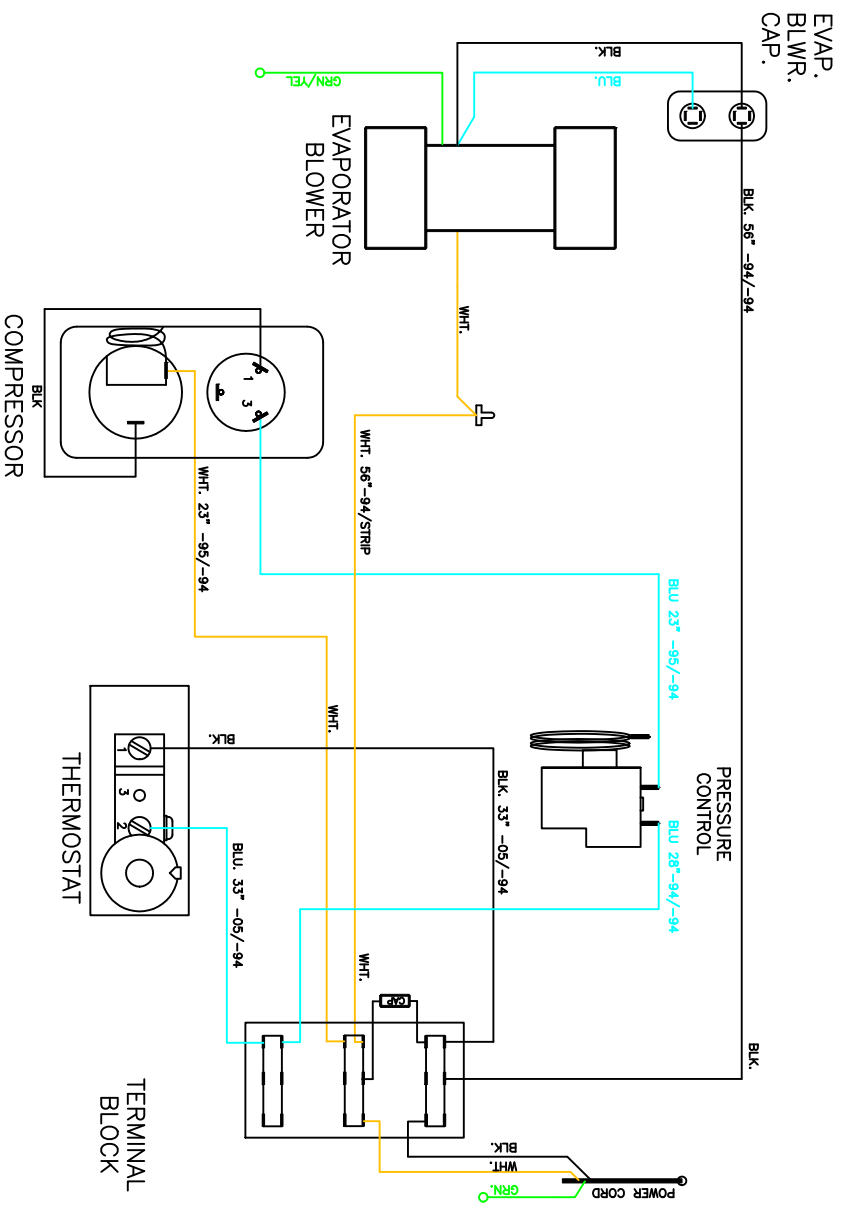


THIS DOCUMENT IS THE PROPERTY OF KOOLTRONIC, INC. AND CONTAINS PROPRIETARY AND CONFIDENTIAL INFORMATION WHICH MUST NOT BE DUPLICATED, USED OR DISCLOSED TO OTHERS, EXCEPT AS EXPRESSLY AUTHORIZED IN WRITING BY KOOLTRONIC, INC.



TOP

REVISIONS		DATE	APPROVED
S/N	NOTICE		
-	ER 06/070	6/22/06	\$/RM
NEW DRAWING RELEASE			

DIMENSIONS DESIGNATED MM ARE IN MILLIMETERS.		DATE	
DIMENSIONS DESIGNATED INCHES ARE IN INCHES.		6/22/06	
TOLERANCES UNLESS OTHERWISE SPECIFIED		DRAWN BY	
FRACTIONS		JERRY STEDNICK	
DECIMALS		CHECKED	
TOL. ON INCHES		R.D.M.	
MM		ENG.	
.XX		± .02	
.XXX		± .010	
ANGULAR		± 1/2°	
MATERIAL		MFG. ENG.	
DATE		APPROVED	
K4A42-SWNP36		B KREELY	
SCALE: 0.250=1		7/6/06	
CODE IDENT. NO. SIZE		Dwg. NO.	
06223		WD-1150	
CND. REF.		WD-1150	
SHEET		1 OF 1	
REV		-	



WIRING DIAGRAM
AIR CONDITIONER

HOOPERVILLE, NJ VENTURA, CA USA