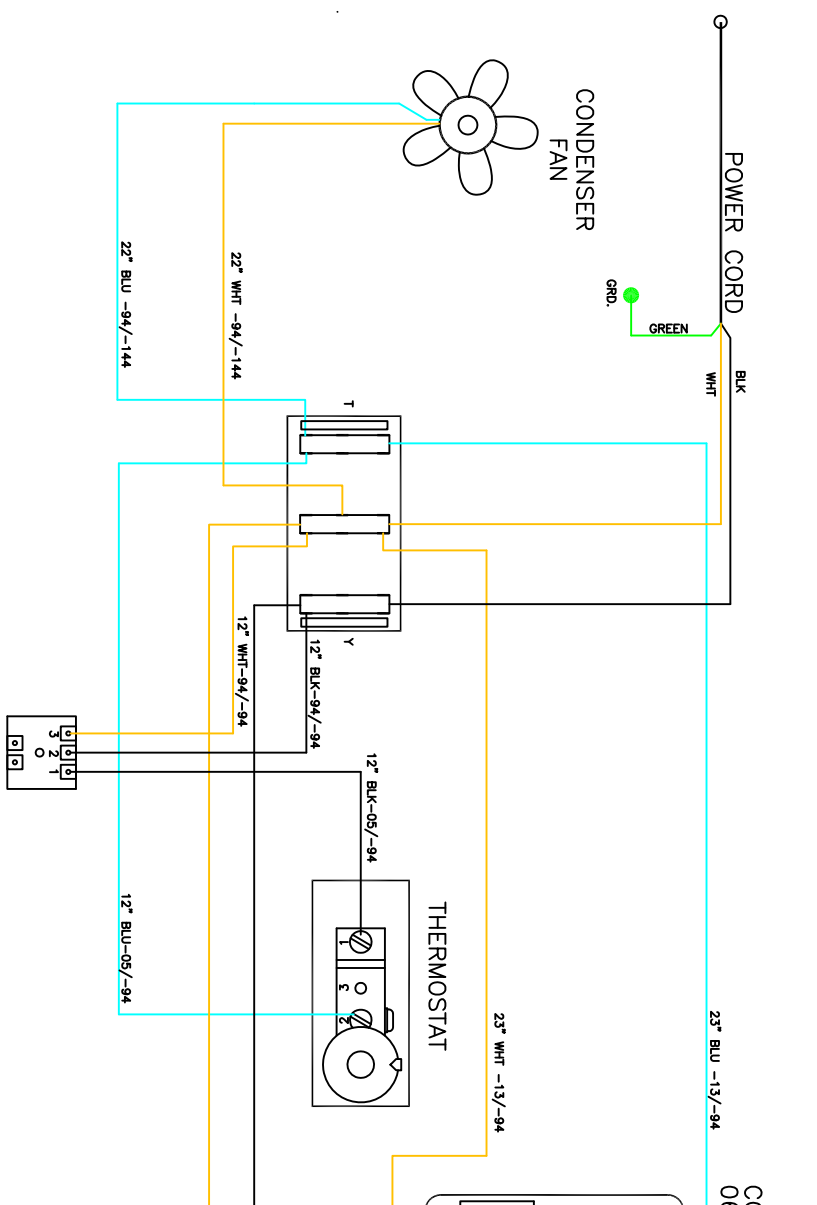


THIS DOCUMENT IS THE PROPERTY OF KOOLTRONIC, INC. AND CONTAINS PROPRIETARY AND CONFIDENTIAL INFORMATION WHICH MUST NOT BE DUPLICATED, USED OR DISCLOSED TO OTHERS, EXCEPT AS EXPRESSLY AUTHORIZED IN WRITING BY KOOLTRONIC, INC.



REVISIONS				
SYM	NOTICE	DESCRIPTION	DATE	APPROVED
-	ER 07/007	NEW DRAWING RELEASE	1/25/07	ROW/JS
A	EC 08/683	REVERSED WIRES ON TERMINALS 1 & 2 ON SHORT CYCLE TIMER	9/9/08	JS
B	EC 14/170	REMOVED SURGE SUPPRESSOR	9/9/14	UV

SHORT CYCLE PROTECTOR

ALL DIMENSIONS ARE IN INCHES.
DIMENSIONS DESIGNATED MM ARE IN MILLIMETERS.

TOLERANCE	FINISH	DATE
± .02	CHECKED	1/26/07
± .010	ENG. JVD	1/29/07
± 1/2"	MFG. ENG.	

KOOLTRONIC, INC.
ROPERVILLE, NJ VERBODIA, CA USA

WIRING DIAGRAM
AIR CONDITIONER

UNIT	KA4C2 5MMPLY	APPROVED	B KREILEY	2/5/07	SCALE 1/4"=1"	CAD. REF. WD-874	SHEET 1 OF 1
CODE	06223	SIZE	B	DWG. NO.	WD-1186	REV.	B