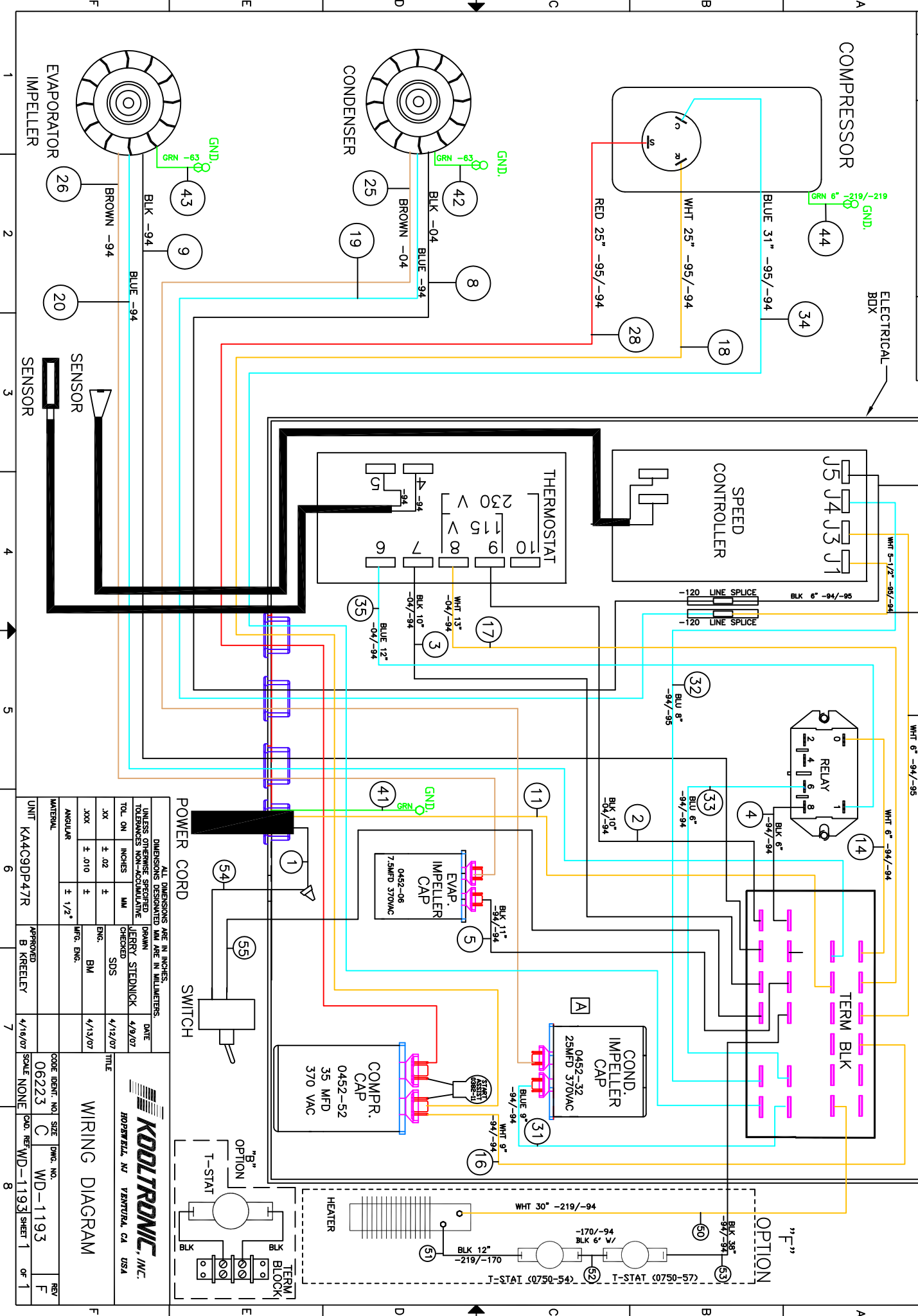


THIS DOCUMENT IS THE PROPERTY OF KOOLTRONIC, INC. AND CONTAINS PROPRIETARY AND CONFIDENTIAL INFORMATION WHICH MUST NOT BE DUPLICATED, USED OR DISCLOSED OTHER THAN AS EXPRESSLY AUTHORIZED BY KOOLTRONIC, INC.			
D	11/281	30" WHT. Header Wire	8/19/11
E	EC 13/100	ADDED GREEN GRD. WIRE TO COMPRESSOR	3/28/13
F	EC 14/170	REMOVED SURGE SUPPRESSOR	5/28/14

ER 09/057	ADDED "B"OPTION COOLING EFFECT
SDS/JS	7/22/09

REV	DATE	APPROVED	DESCRIPTION
A	10/21/07	ROM DW-	"A" ADDED CAPACITOR P/N 0452-32 25 MFD
B	10/2/08	JS DW-	ADDED HEATER "F" OPTION
SWM	NOTICE		
ER 07/019	4/9/07	JS	NEW DRAWING RELEASE
EC 07/832			
ER 09/094			



<p>ALL DIMENSIONS ARE IN INCHES. DIMENSIONS DESIGNATED MM ARE IN MILLIMETERS. UNLESS OTHERWISE SPECIFIED DRAWN TOLERANCES NON-ACCUMULATIVE</p> <p>DATE: 4/9/07 CHECKED: JERRY STEDNICK DATE: 4/12/07 ENGINEER: BM DATE: 4/13/07 MFG. ENG.</p>	
<p>UNIT: KA4C9DP47R</p>	
APPROVED	B KREILEY
SCALE	NONE
CODE IDENT. NO.	06223
SIZE	C
DWG. NO.	WD-1193
CAD. REF.	WD-1193
SHEET	1
OF	1

KOOLTRONIC, INC.
 HOPEWELL, NJ VERMONT, CA USA

WIRING DIAGRAM