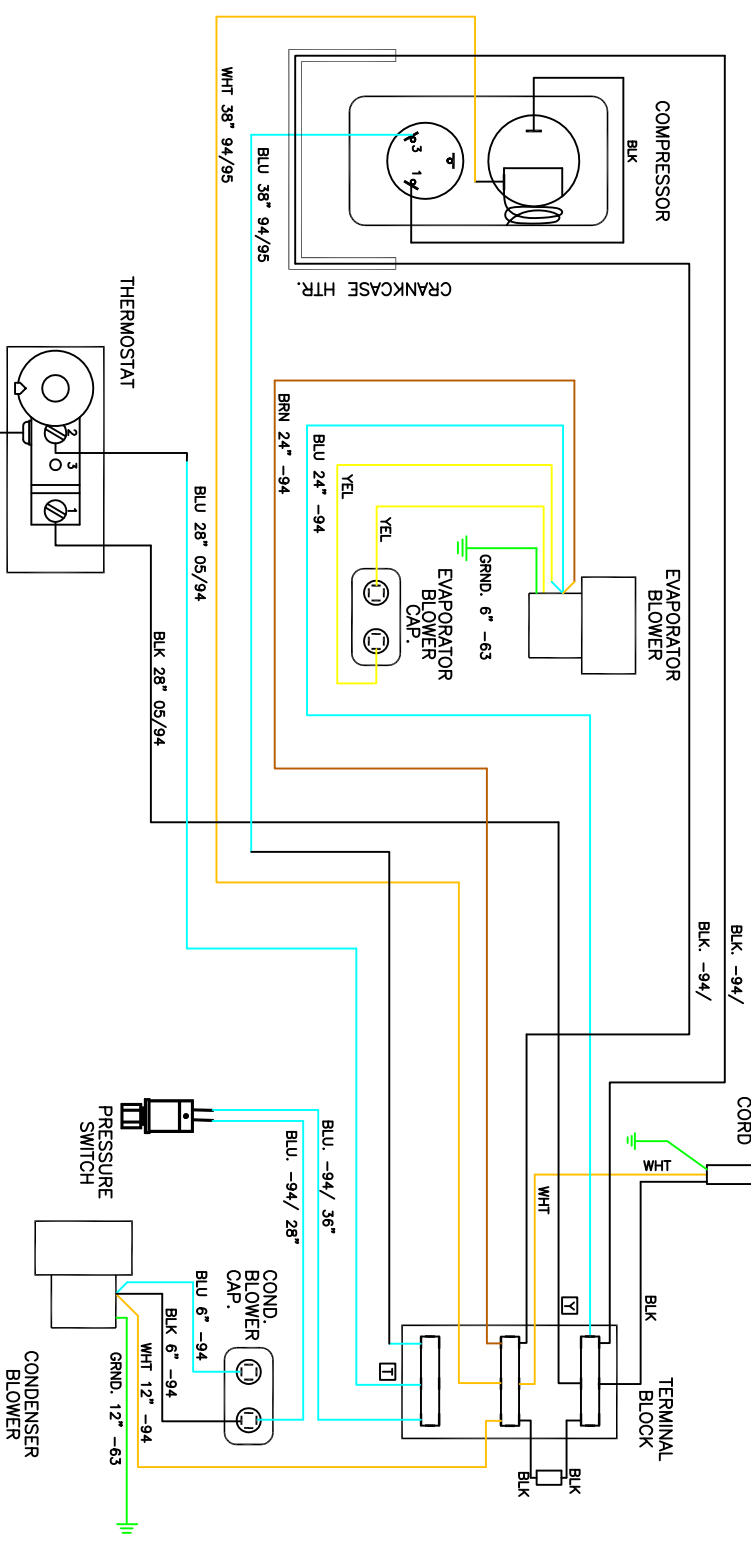


THIS DOCUMENT IS THE PROPERTY OF KOOLTRONIC, INC. AND CONTAINS PROPRIETARY AND CONFIDENTIAL INFORMATION WHICH MUST NOT BE DUPLICATED, USED OR DISCLOSED OTHER THAN AS EXPRESSLY AUTHORIZED BY KOOLTRONIC, INC.



4 WIRES

REVISIONS				
SYM	NOTICE	DESCRIPTION	DATE	APPROVED
-	ECR 07/927	NEW DRAWING RELEASE	11/26/07	SS
A	EC 18/487	ADDED PRESSURE SWITCH WIRE LENGTHS	9/19/18	J5/SDS

DIMENSIONS DESIGNED IN INCHES. DRAWN DATE			
TOLERANCES UNLESS OTHERWISE SPECIFIED	STEVE S	11/28/07	
TOL. ON INCHES	MM		
.XX	± .02	±	11/27/07
.XXX	± .010	±	11/27/07
ANGULAR	± 1/2°		

KOOLTRONIC, INC.
 PENNINGTON, NJ USA

WIRING DIAGRAM
 AIR CONDITIONER

DATE	APPROVED	CODE	ISSUE NO.	SIZE	DATE	REV
11/27/07	JTM	06223	B	WD-1221	11/27/07	A

1 2 3 4 5 6 7 8

F E D C B A