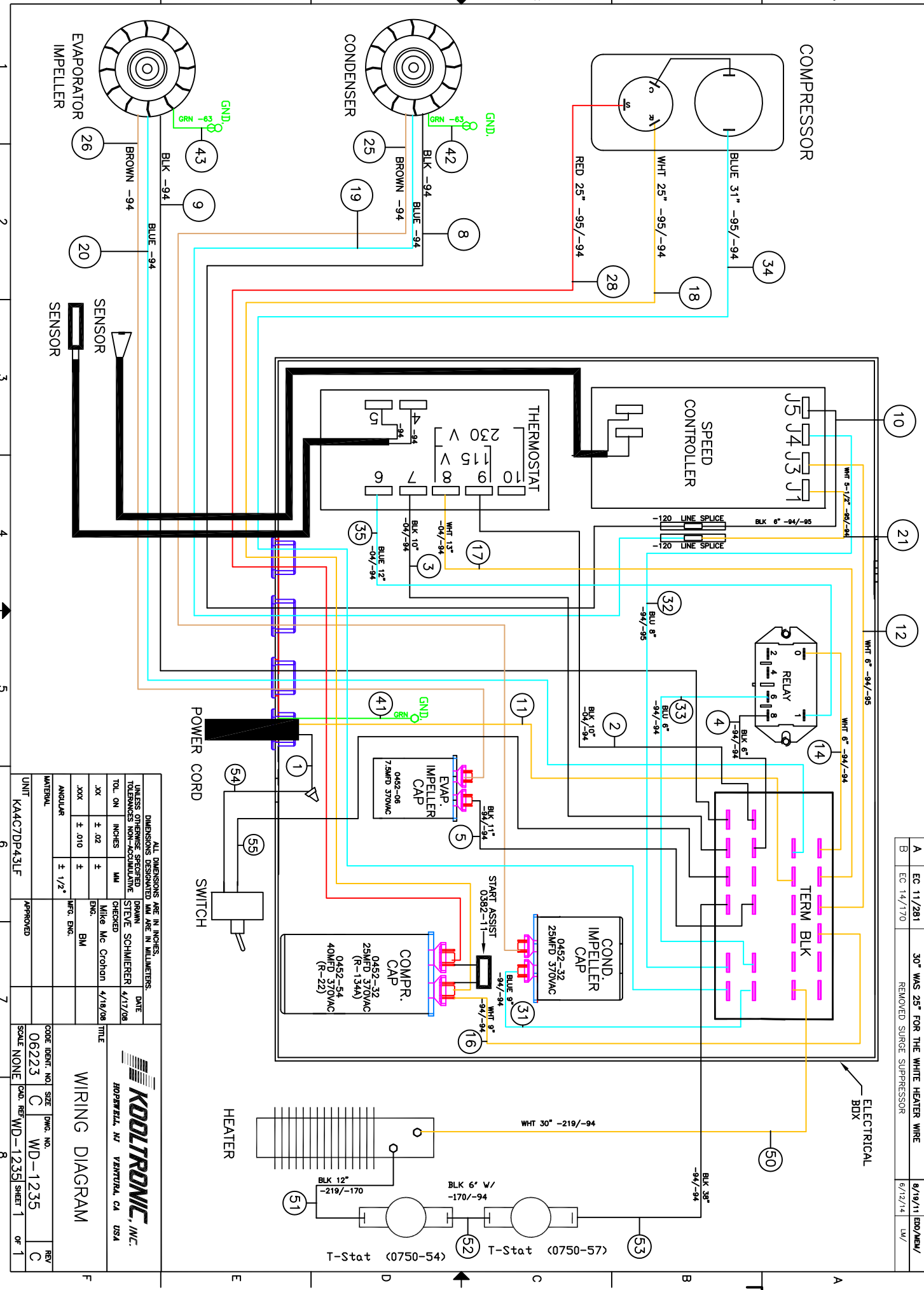


THIS DOCUMENT IS THE PROPERTY OF KOOLTRONIC, INC. AND CONTAINS PROPRIETARY AND CONFIDENTIAL INFORMATION WHICH MUST NOT BE DUPLICATED, USED OR DISCLOSED OTHER THAN AS EXPRESSLY AUTHORIZED BY KOOLTRONIC, INC.

EC 15/620 CHANGED WIRE TERMINALS ON WIRE #8 & #25. WAS -04 12/9/15 JS/

REV	DATE	DESCRIPTION	APPROVED
A	4/17/08	NEW DRAWING RELEASE	SDS/
B	6/12/14	30" WAS 25" FOR THE WHITE HEATER WIRE REMOVED SURGE SUPPRESSOR	LM/



UNIT	SCALE	DATE	APPROVED
K44C7DP431F	NONE	4/17/08	BM

UNIT	SCALE	DATE	APPROVED
K44C7DP431F	NONE	4/17/08	BM

UNIT	SCALE	DATE	APPROVED
K44C7DP431F	NONE	4/17/08	BM

UNIT	SCALE	DATE	APPROVED
K44C7DP431F	NONE	4/17/08	BM

KOOLTRONIC, INC.
 HOPEWELL, NJ VENTURA, CA USA

WIRING DIAGRAM

CODE IDENT. NO. 06223
 SIZE C
 DWG. NO. WD-1235
 CAD. REF. WD-1235
 SHEET 1 OF 1