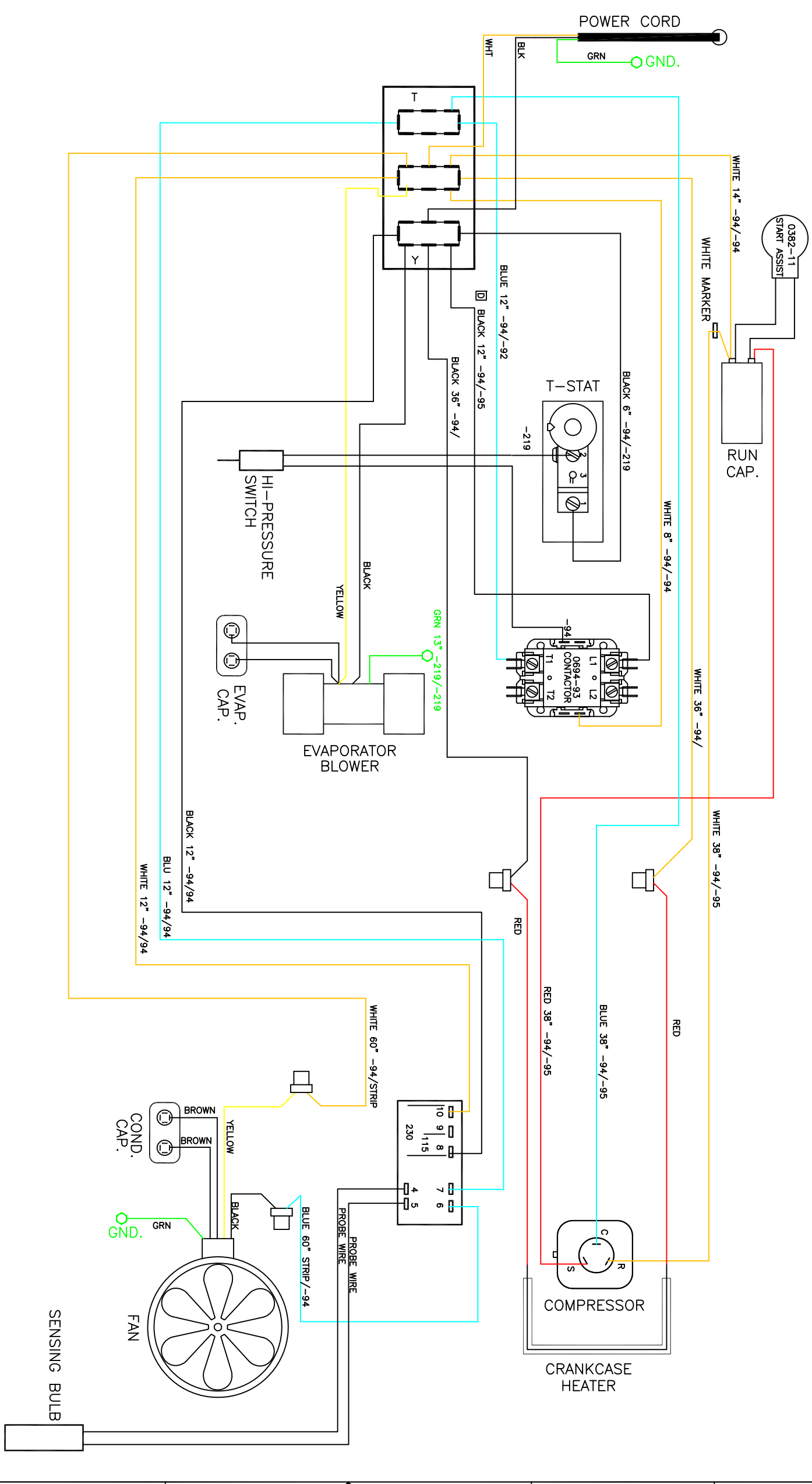


THIS DOCUMENT IS THE PROPERTY OF KOOLTRONIC, INC. AND CONTAINS PROPRIETARY AND CONFIDENTIAL INFORMATION WHICH SHOULD NOT BE DUPLICATED, USED OR DISCLOSED OTHER THAN AS EXPRESSLY AUTHORIZED BY KOOLTRONIC, INC.

SYM	NOTICE	DESCRIPTION	DATE	APPROVED
-	FR 08/094	NEW DRAWING RELEASE	11/25/08	JS DW-
A	EC 09/693	ADDED HI-PRESSURE SWITCH	12/18/09	JS
B	EC 14/170	REMOVED SURGE SUPPRESSOR	6/3/14	LM/
C	EC 15/527	CHANGED CONTACTOR AND CORRECTED WIRE TERMINATIONS	12/14/15	JS
D	EC 16/722	CHANGED WIRE LENGTH, WAS 6"	12/12/16	JS



**KOOLTRONIC, INC.**  
 HOPEWELL, NJ VENTURA, CA USA

**WIRING DIAGRAM**

UNLESS OTHERWISE SPECIFIED TOLERANCES NON-ACCUMULATIVE	DRAWN JERRY STEDNICK	DATE 11/25/08
TOL. ON INCHES	CHECKED D.WALDRON	DATE 12/15/08
XX ± .02	ENG. BORIS WIZKANT	DATE 12/15/08
.XXX ± .010	MFG. ENG.	
ANGULAR ± 1/2°		
MATERIAL		
UNIT K2A6C30EP56_R	APPROVED Jim Disler	DATE 12/14/15

ALL DIMENSIONS ARE IN INCHES.  
 DIMENSIONS DESIGNATED MM ARE IN MILLIMETERS.  
 UNLESS OTHERWISE SPECIFIED  
 TOLERANCES NON-ACCUMULATIVE

CODE IDENT. NO. | SIZE | DWG. NO. | REV.  
 06223 | C | WD-1267 | D

SCALE NONE | CAD. REF. WD-1267 | SHEET 1 OF 1