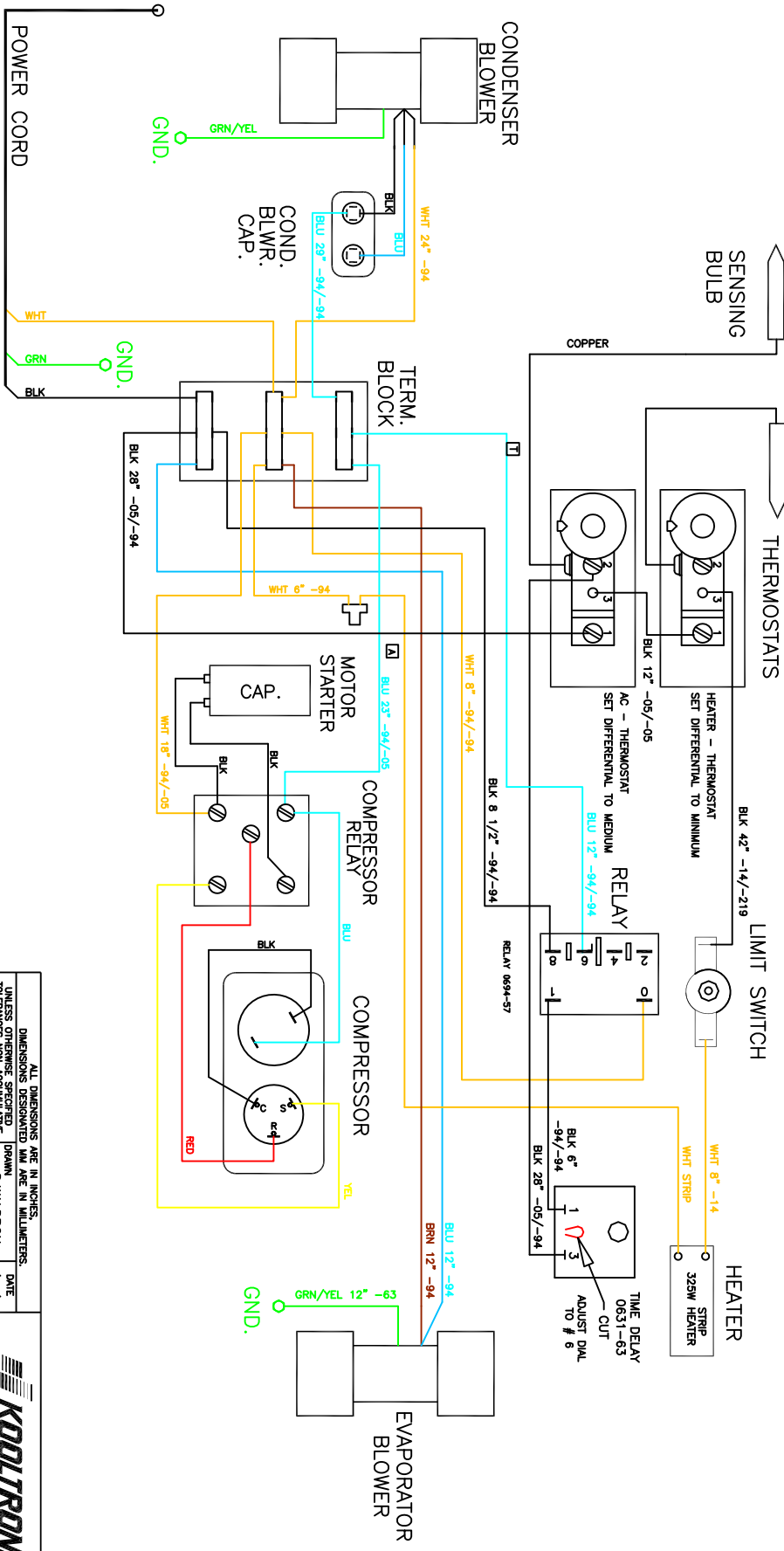


THIS DOCUMENT IS THE PROPERTY OF KOOLTRONIC, INC. AND CONTAINS PROPRIETARY AND CONFIDENTIAL INFORMATION WHICH MUST NOT BE DUPLICATED, USED OR DISCLOSED TO OTHERS, EXCEPT AS EXPRESSLY AUTHORIZED IN WRITING BY KOOLTRONIC, INC.

REV	NOTICE	DESCRIPTION	DATE	APPROVED
-	ER 09/038	NEW DRAWING RELEASE.	5/27/08	DW-
A	EC 09/516	23" BLUE WIRE WAS 18"	9/19/09	SDS/
B	EC 14/170	REMOVED SURE SUPPRESSOR	9/9/14	LM/



ALL DIMENSIONS ARE IN INCHES. DIMENSIONS DESIGNATED MM ARE IN MILLIMETERS.

TOLERANCES UNLESS OTHERWISE SPECIFIED	DRAWN	DATE
TOL. ON INCHES	D. WALDRON	9/27/09
TOL. ON MILLIMETERS		

CHECKED	ENGINEER	DATE
STEVE SCHMIERER	JOE MILKO	6/5/09
MANUFACTURER	WFR. ENG.	

KOOLTRONIC, INC.
ROPERVILLE, NJ VERBODEN, CA USA

WIRING DIAGRAM
AIR CONDITIONER

CODE IDENT. NO.	SIZE	DWG. NO.	REV.
06223	B	WD-1298	B
SCALE NONE	CAD. REF.	WD-1298	SHEET 1 OF 1

DATE: 6/5/09
APPROVED: JOE MILKO