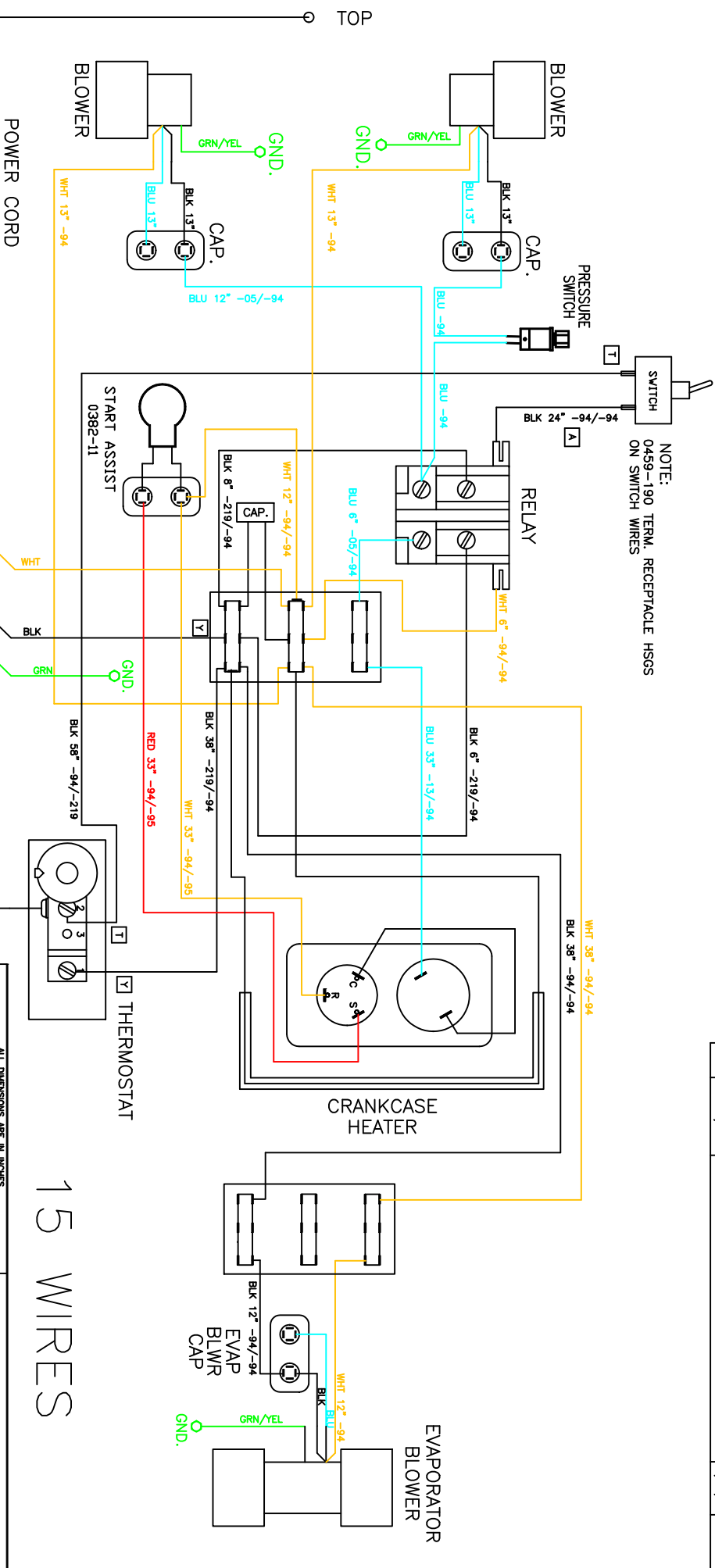


THIS DOCUMENT IS THE PROPERTY OF KOOLTRONIC, INC. AND CONTAINS PROPRIETARY AND CONFIDENTIAL INFORMATION WHICH MUST NOT BE DUPLICATED, USED OR DISCLOSED TO OTHERS, EXCEPT AS EXPRESSLY AUTHORIZED IN WRITING BY KOOLTRONIC, INC.



NOTE:
0459-190 TERM. RECEPTACLE HSGS
ON SWITCH WIRES

15 WIRES

REVISIONS		DATE	APPROVED
SYM	NOTICE		
-	ER 10/077	12/6/10	DW-
A	EC 10/662	12/22/10	DW-
	NEW DRAWING RELEAS		
	REPLACED WIRE.		

DIMENSIONS DESIGNATED MM ARE IN MILLIMETERS.		DATE	
LIMITS OTHER THAN SPECIFIED ARE IN INCHES.		D.M. WALDRON 12/6/10	
TOLERANCES NON-CUMULATIVE		D.M. WALDRON 12/6/10	
TOL. ON	INCHES	MM	
.XX	± .02	±	
.XXX	± .010	±	
ANGULAR		± 1/2°	
MATERIAL			
DWT	K2NA4C10P47L5	APPROVED	Joe M./Bruce K 12/14/10
TITLE		CODE IDENT. NO.	SIZE
WIRING DIAGRAM		06223	B
AIR CONDITIONER		Q.D. REF.	WD-1355
Kooltronic, Inc.		DWG. NO.	WD-1355
80398161, NY VANHOUTA, CA USA		SCALE	N/A
		REV	A
		SHEET	1 OF 1