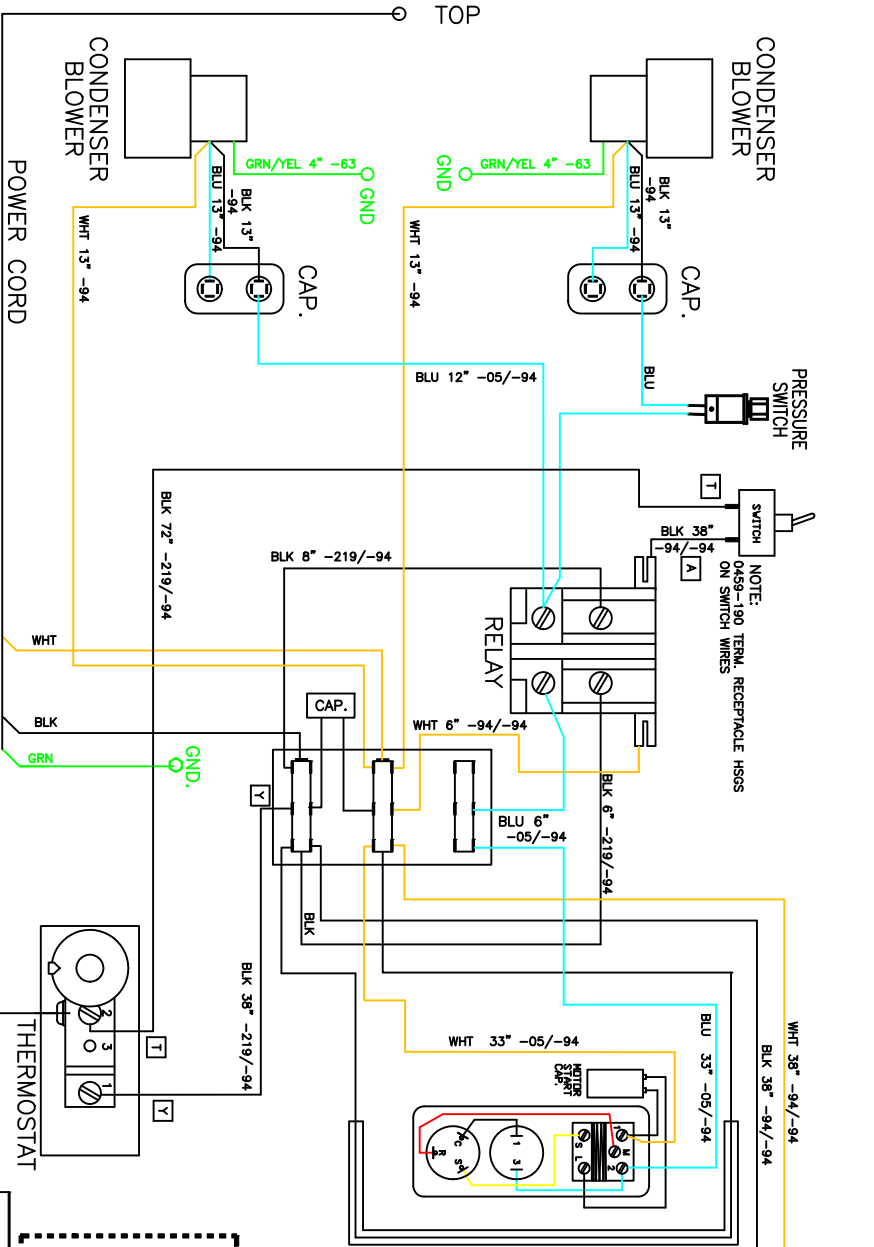
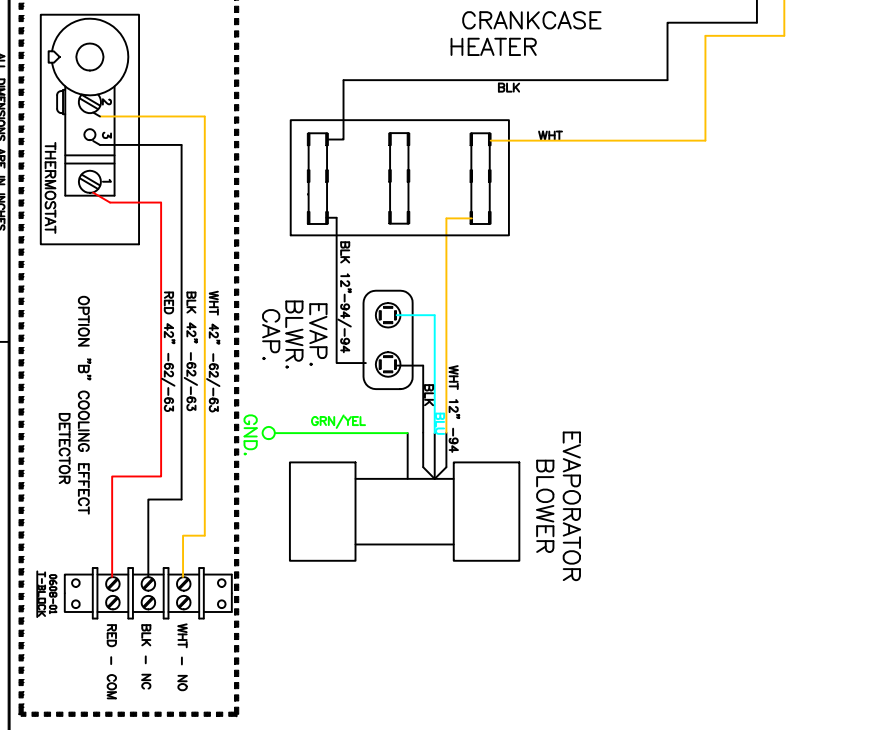


THIS DOCUMENT IS THE PROPERTY OF KOOLTRONIC, INC. AND CONTAINS PROPRIETARY AND CONFIDENTIAL INFORMATION WHICH MUST NOT BE DUPLICATED, USED OR DISCLOSED TO OTHERS, EXCEPT AS EXPRESSLY AUTHORIZED IN WRITING BY KOOLTRONIC, INC.



REVISIONS				
S/N	NOTICE	DESCRIPTION	DATE	APPROVED
-	ER 11/078	NEW DRAWING RELEASE	9/30/11	MEV/
A	EC 11/393	BLK 38" WAS BLK 49"	11/19/11	EDU/



WIRE COUNT 13

SENSING BULB

DIMENSIONS ARE IN INCHES, UNLESS OTHERWISE SPECIFIED AND ARE IN MILLIMETERS, UNLESS OTHERWISE SPECIFIED		DATE	
TOL. ON INCHES	MM	CHECKED	DATE
.XX ± .02 ±		Steve Schriener	9/30/11
.XXX ± .010 ±		Jim Dieler	9/30/11
ANGULAR	± 1/2°	WFG. ENG.	
MATERIAL			
DATE	APPROVED	SCALE	NONE
K2MA4CTP59L	Joe M/Bruce K	10/6/11	
		WIRING DIAGRAM AIR CONDITIONER	
CODE IDENT. NO.	SIZE	DRWG. NO.	REV.
06223	B	WD-1396	A
SCALE NONE		WD-1396	SHEET 1 OF 1