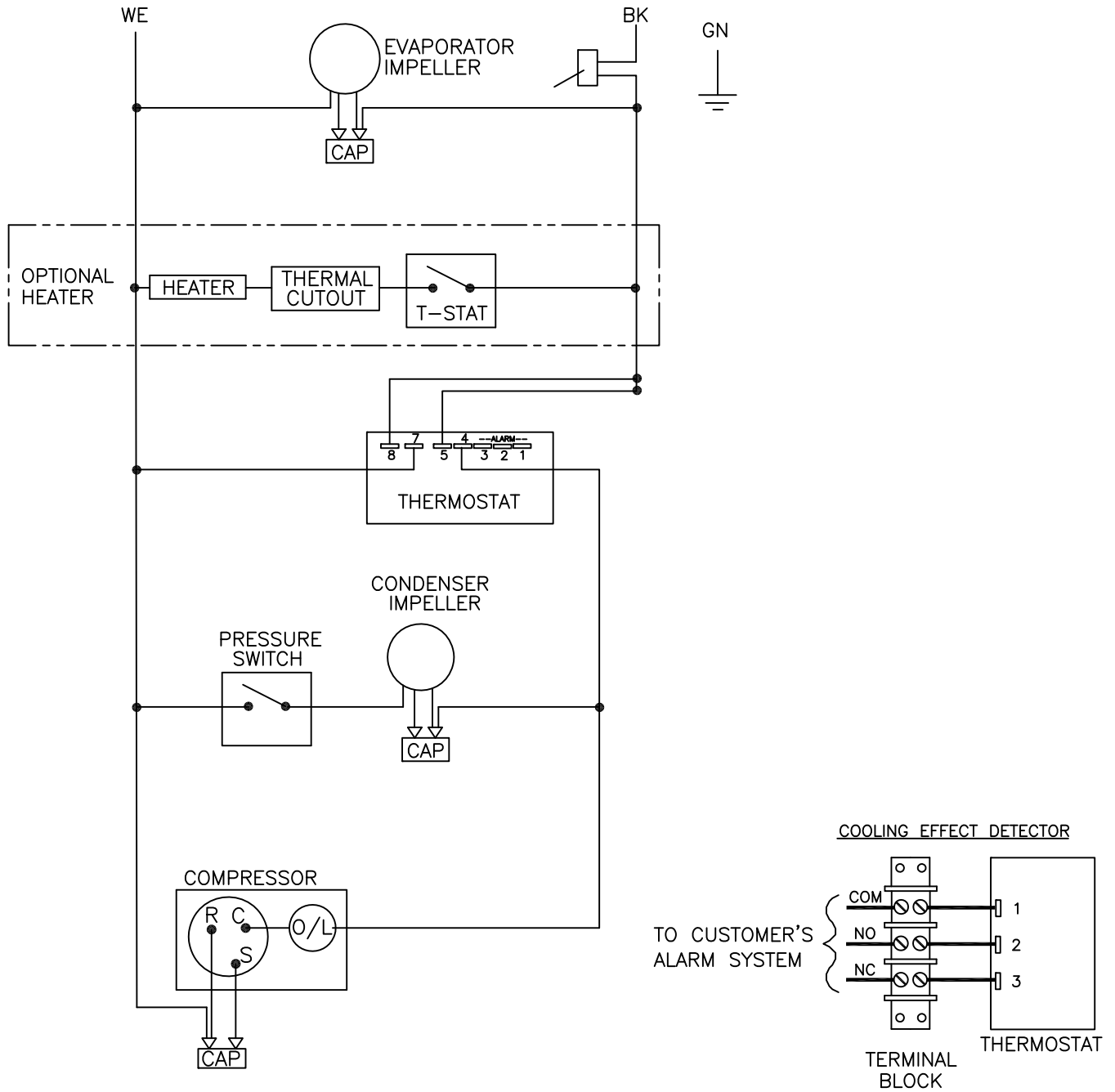


THIS DOCUMENT IS THE PROPERTY OF KOOLTRONIC, INC. AND CONTAINS PROPRIETARY AND CONFIDENTIAL INFORMATION WHICH MUST NOT BE DUPLICATED, USED OR DISCLOSED TO OTHERS, EXCEPT AS EXPRESSLY AUTHORIZED IN WRITING BY KOOLTRONIC, INC.

REVISIONS

| SYM | NOTICE    | DESCRIPTION         | DATE   | APPROVED |
|-----|-----------|---------------------|--------|----------|
| -   | ER 13/043 | NEW DRAWING RELEASE | 7/9/13 | JS       |



ALL DIMENSIONS ARE IN INCHES,  
DIMENSIONS DESIGNATED MM ARE IN MILLIMETERS.

UNLESS OTHERWISE SPECIFIED  
TOLERANCES NON-ACCUMULATIVE

| TOL. ON | INCHES | MM     |
|---------|--------|--------|
| .XX     | ± .02  | ±      |
| .XXX    | ± .010 | ±      |
| ANGULAR |        | ± 1/2° |

| DRAWN                     | DATE     |
|---------------------------|----------|
| JERRY STEDNICK            | 7/9/13   |
| CHECKED<br>Mike Mc Crohan | 11/12/13 |
| ENG.<br>JIM DISLER        | 11/15/13 |
| MFG. ENG.                 |          |



WIRING DIAGRAM

|                                     |                           |                          |              |                     |              |
|-------------------------------------|---------------------------|--------------------------|--------------|---------------------|--------------|
| MATERIAL                            |                           | CODE IDENT. NO.<br>06223 | SIZE<br>A    | DWG. NO.<br>WD-1446 | REV<br>-     |
| UNITS K_NA4C_SP36L<br>K2NA4C11SP43L | APPROVED<br>Joe M/Bruce K | 11/18/13                 | SCALE<br>N/A | CAD. REF. WD-1446   | SHEET 1 OF 1 |