

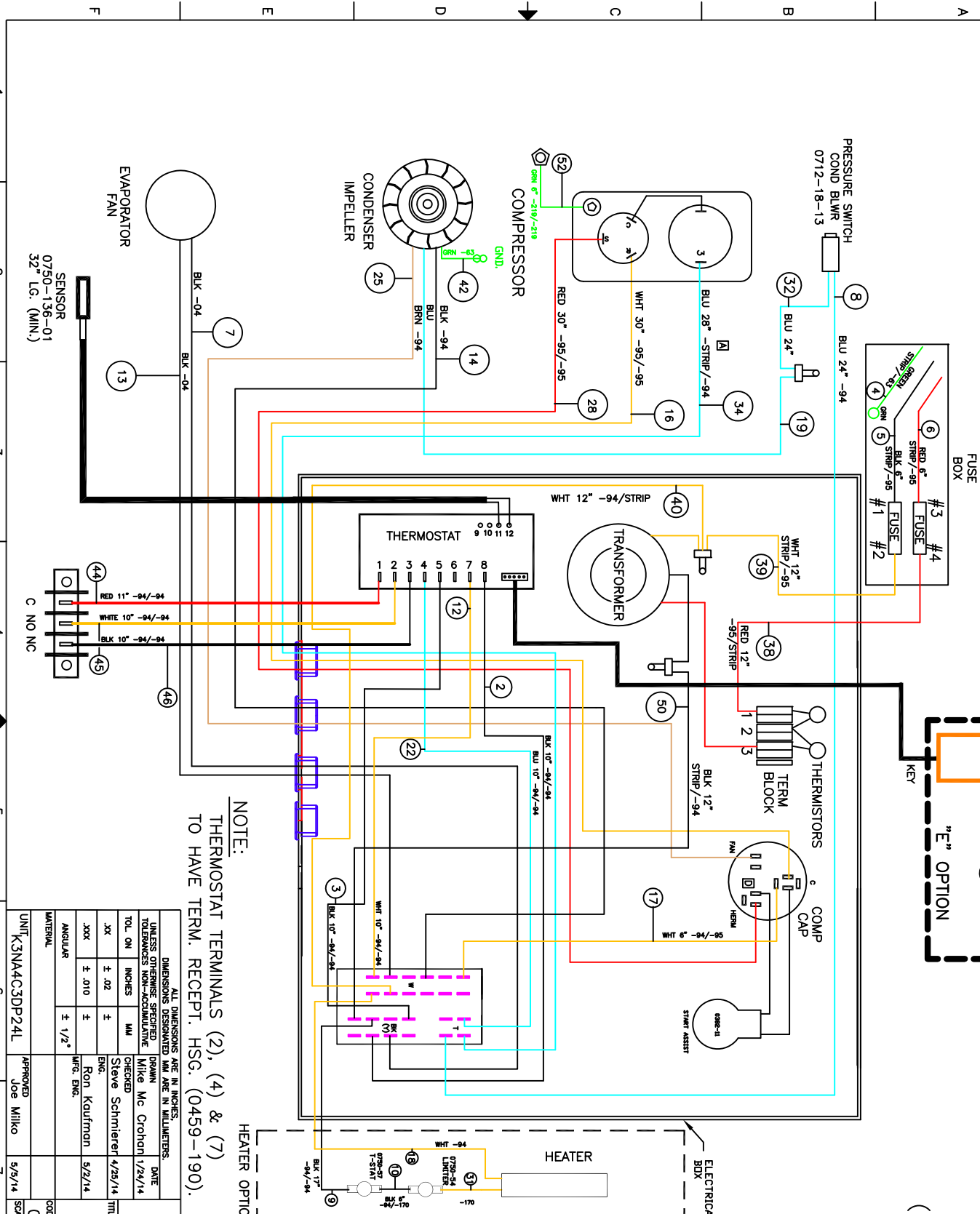
THIS DOCUMENT IS THE PROPERTY OF KOOLTRONIC, INC. AND CONTAINS PROPRIETARY AND CONFIDENTIAL INFORMATION WHICH MUST NOT BE DUPLICATED, USED OR DISCLOSED OTHER THAN AS EXPRESSLY AUTHORIZED BY KOOLTRONIC, INC.

SYM	NOTICE	DESCRIPTION	DATE	APPROVED
-	EC 13/374	NEW DRAWING RELEASE.	1/24/14	MEM/
A	EC 14/190	BLU 28" -STRIP/-94 WAS BLU 28" -223/-94	5/20/14	MEM/
B	EC 15/216	REPLACED IMPELLER TERMINALS.	5/13/15	DW--
C	EC 17/310	REMOVED TERMINAL BOX	6/21/17	JS/SDS
D	EC 20/066	PLACED BLACK CAPACITOR ON ITS OWN TERMINAL	02/18/20	SF/SDS

(18) WIRES STANDARD

(20) WIRES
W/(1) OPTION

(22) WIRES
W/(2) OPTIONS



NOTE:
THERMOSTAT TERMINALS (2), (4) & (7)
TO HAVE TERM. RECEPT. HSG. (0459-190).

DIMENSIONS DESIGNATED MM ARE IN MILLIMETERS.		DIMENSIONS DESIGNATED IN IN INCHES.	
TOL. ON INCHES	MM	TOL. ON MILLIMETERS	INCHES
XX ± .02	±	UNLESS OTHERWISE SPECIFIED	DRAWN
XXX ± .010	±	TOLERANCES NON-ACCUMULATIVE	MIKE Mc CROHN 1/24/14
ANGULAR ± 1/2°	±	CHECKED	Steve Schmeierer 4/25/14
		ENG.	Ron Kaufman 5/2/14
		MFG. ENG.	
UNFIN. K3NA4C3DP24L	APPROVED	Joe Milko	5/3/14
SCALE NONE	CODE IDENT. NO.	SIZE	DWG. NO.
	06223	C	WD-1470
	CAD. REF.		REV
			D
			SHEET 1 OF 1

KOOLTRONIC, INC.
ROPERVILLE, NJ VENTURA, CA USA

WIRING DIAGRAM
K3NA4C3DP24L