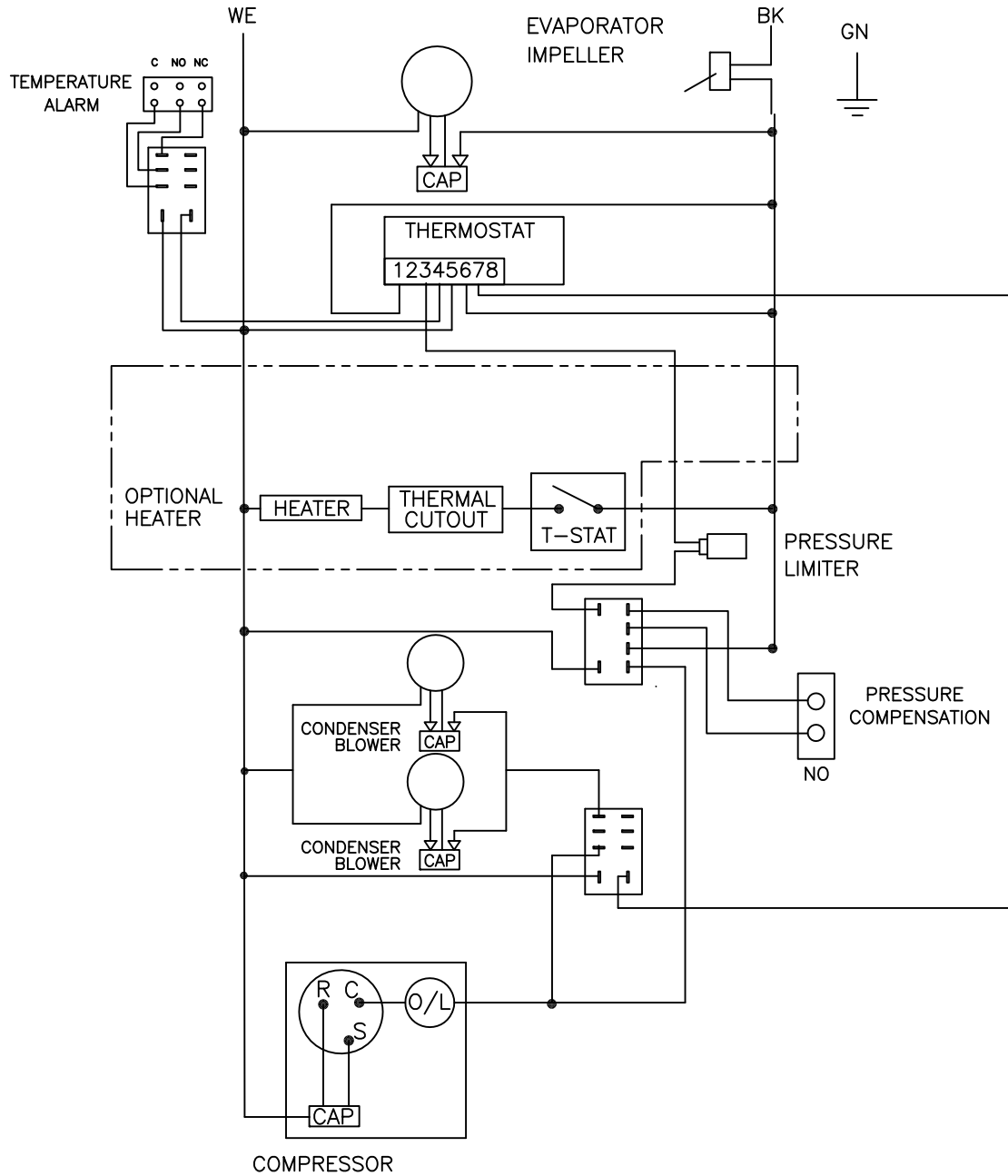


THIS DOCUMENT IS THE PROPERTY OF KOOLTRONIC, INC. AND CONTAINS PROPRIETARY AND CONFIDENTIAL INFORMATION WHICH MUST NOT BE DUPLICATED, USED OR DISCLOSED TO OTHERS, EXCEPT AS EXPRESSLY AUTHORIZED IN WRITING BY KOOLTRONIC, INC.

REVISIONS

SYM	NOTICE	DESCRIPTION	DATE	APPROVED
-	ER 12/069	NEW DRAWING RELEASE.	4/9/14	DW-
A	EC 14/503	NAME CHANGE: TEMPERATURE ALARM WAS COOLING EFFECT DETECTOR	11/25/14	JS
B	EC 15/022	ADDED PRESSURE COMPENSATION	3/25/15	JS



ALL DIMENSIONS ARE IN INCHES,
DIMENSIONS DESIGNATED MM ARE IN MILLIMETERS.

UNLESS OTHERWISE SPECIFIED
TOLERANCES NON-ACCUMULATIVE

TOL. ON	INCHES	MM
.XX	± .02	±
.XXX	± .010	±
ANGULAR		± 1/2°

DRAWN	DATE
Dave Waldron	4/9/14
CHECKED Steve Schmierer	5/6/14
ENG. B.MUZYKANT	4/9/14
MFG. ENG.	



WIRING DIAGRAM
Condenser blower control

MATERIAL	APPROVED	CODE IDENT. NO.	SIZE	DWG. NO.	REV
KA6C9HL48LV	Joe M/Bruce K	06223	A	WD-1475	B
UNITS		SCALE	CAD. REF.	SHEET	
		N/A		1 OF 1	