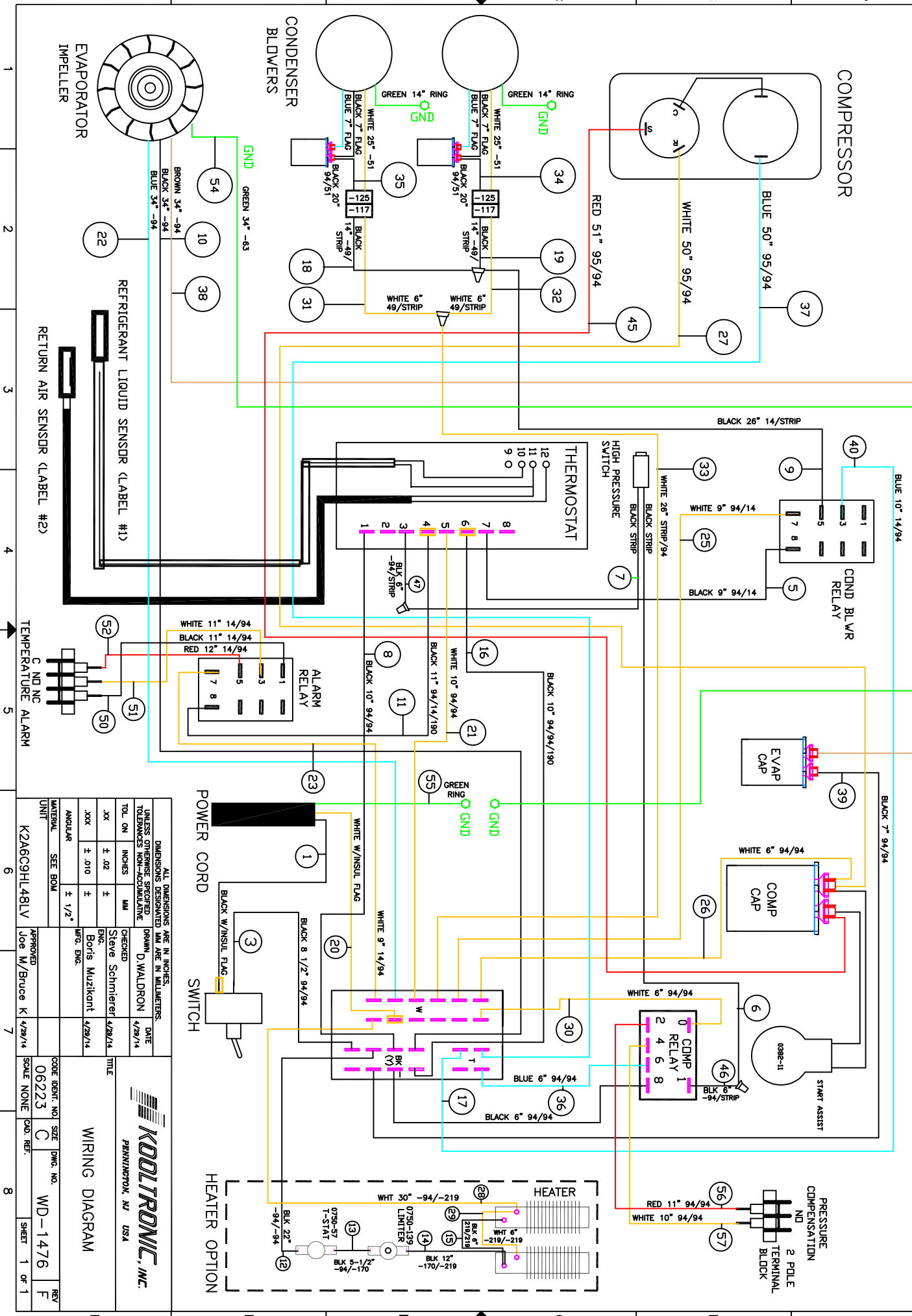


REV	DATE	APPROVED	DESCRIPTION	NOTICE	DATE	APPROVED
1	4/29/14	DW	NEW DRAWMING RELEASE	ER 12/08/99	10/22/14	JS
2	6/15/14	SRS/MEU	ADDED MODEL/NOTICES TO TITLE BLOCK	EC 14/20/96	10/22/14	JS
3	7/21/14	DW	REMOVED 115V UNIT K2A6C9HL4BLV	EC 14/29/92	3/28/15	JS
4	9/16/14	DW	(3) COMPRESSOR WIRES LONGER, MOVED E-BOX GND's	EC 14/28/11		



REV	DATE	APPROVED	DESCRIPTION
1	4/29/14	DW	NEW DRAWMING RELEASE
2	6/15/14	SRS/MEU	ADDED MODEL/NOTICES TO TITLE BLOCK
3	7/21/14	DW	REMOVED 115V UNIT K2A6C9HL4BLV
4	9/16/14	DW	(3) COMPRESSOR WIRES LONGER, MOVED E-BOX GND's

UNIT	SEE BOM	DATE	DATE
K2A6C9HL4BLV		4/29/14	4/29/14

UNIT	SIZE	DWG. NO.	REV
06223	C	WD-1476	F

UNIT	SCALE	SHEET
K2A6C9HL4BLV	NONE	1 OF 1

KOOLTRONIC, INC.
 PERMINENTON, NJ USA

WIRING DIAGRAM

ALL DIMENSIONS ARE IN INCHES. DIMENSIONS DESIGNATED MM ARE IN MILLIMETERS. UNLESS OTHERWISE SPECIFIED TOLERANCES NON-ACCUMULATIVE

CHECKED: Steve Schmitter/4/29/14
 ENG: Boris Muzikant/4/29/14
 MFG. ENG.

APPROVED: Joe M. Bruce K 4/29/14