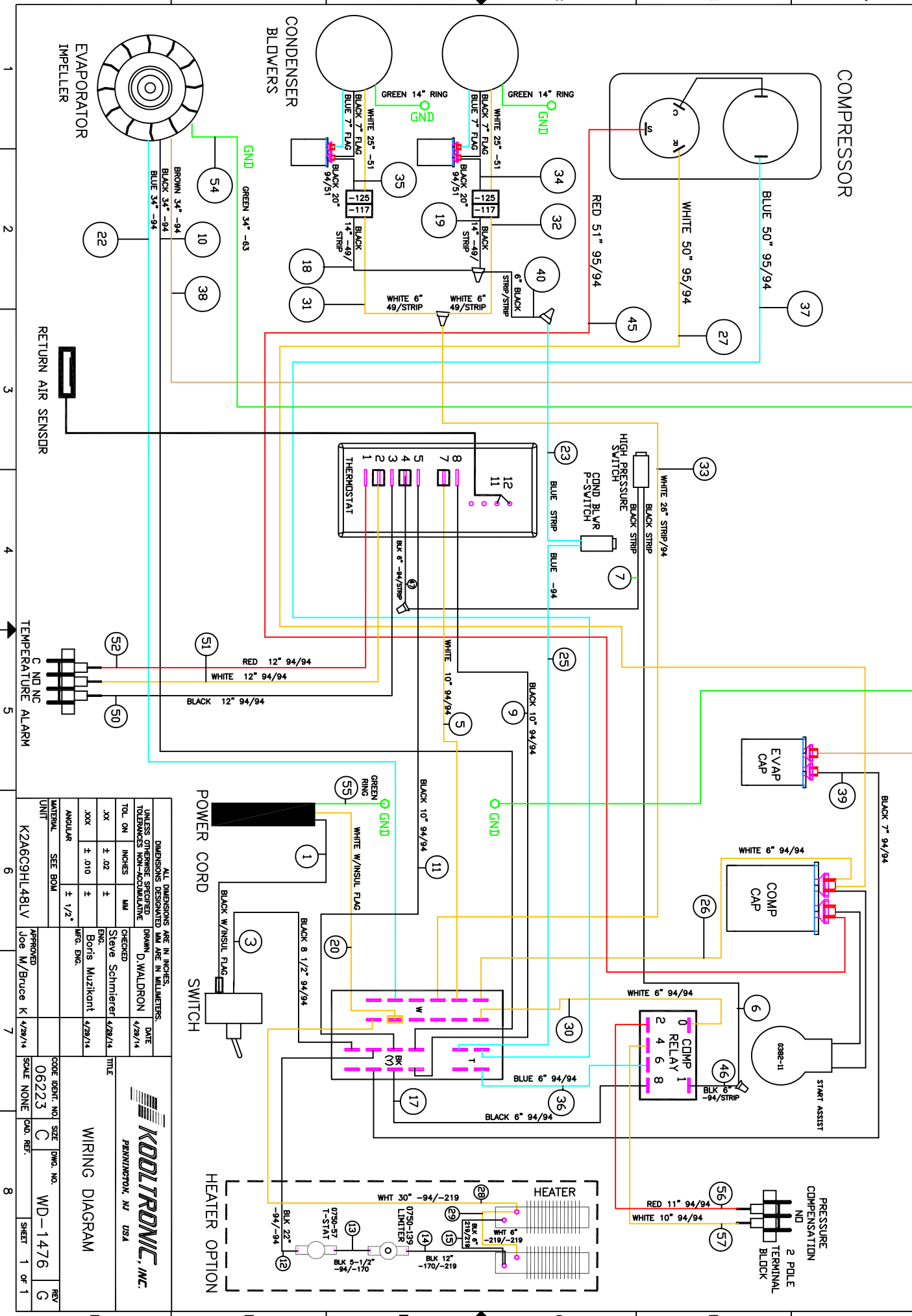


REV	DATE	DESCRIPTION	APPROVED
D	EC 14/4/31	ADDED (2) PRESSURE SWITCH EXTENSION WIRES #46 & #47	10/22/14 JS
E	EC 14/5/93	WIRE CHANGE: TEMPERATURE ALARM WAS COOLING EFFECT DETECTOR	10/22/14 JS
F	EC 15/0/22	ADDED PRESSURE COMPENSATION TERMINAL BLOCK AND WIRES	3/28/19 JS
G	EC 19/0/80	REMOVED ALARM AND BLOWER RELAYS, ADDED ADDITIONAL PRESS SWITCH REMOVED (1) T-STAT AND SENSOR, ADDED NEW T-STAT AND WIRES	2/25/19 JS/SDS

REV	DATE	DESCRIPTION	APPROVED
A	EC 14/2/06	NEW DRAINING RELEASE	4/29/14 DW
B	EC 14/2/92	ADDED MODEL/NOTICES TO TITLE BLOCK	6/15/14 SIS/MEU
C	EC 14/2/81	REMOVED 115V UNIT K2A6C9H148LV	7/21/14 DW
C	EC 14/2/81	(3) COMPRESSOR WIRES LONGER, MOVED E-BOX GND's	9/16/14 DW



Kooltronic, Inc.
PERRINTON, NJ USA

WIRING DIAGRAM

CODE IDENT. NO.	SIZE	DWG. NO.	REV
06223	C	WD-1476	G
SCALE NONE	CAD REF.	SHEET 1 OF 1	

APPROVED: Joe M. Bruce K 4/29/14

DATE: 4/29/14

DATE: 6/15/14

DATE: 7/21/14

DATE: 9/16/14

ALL DIMENSIONS ARE IN INCHES. DIMENSIONS DESIGNATED MM ARE IN MILLIMETERS. UNLESS OTHERWISE SPECIFIED TOLERANCES NON-ACCUMULATIVE

TOL. ON INCHES	MM	CHECKED	DATE
.XX	± .02	Steve Schmitter	4/29/14
.XXX	± .010	Boris Muzikant	4/29/14
ANGULAR	± 1/2°	MFG. ENG.	

MATERIAL: SEE BOM

UNIT: K2A6C9H148LV