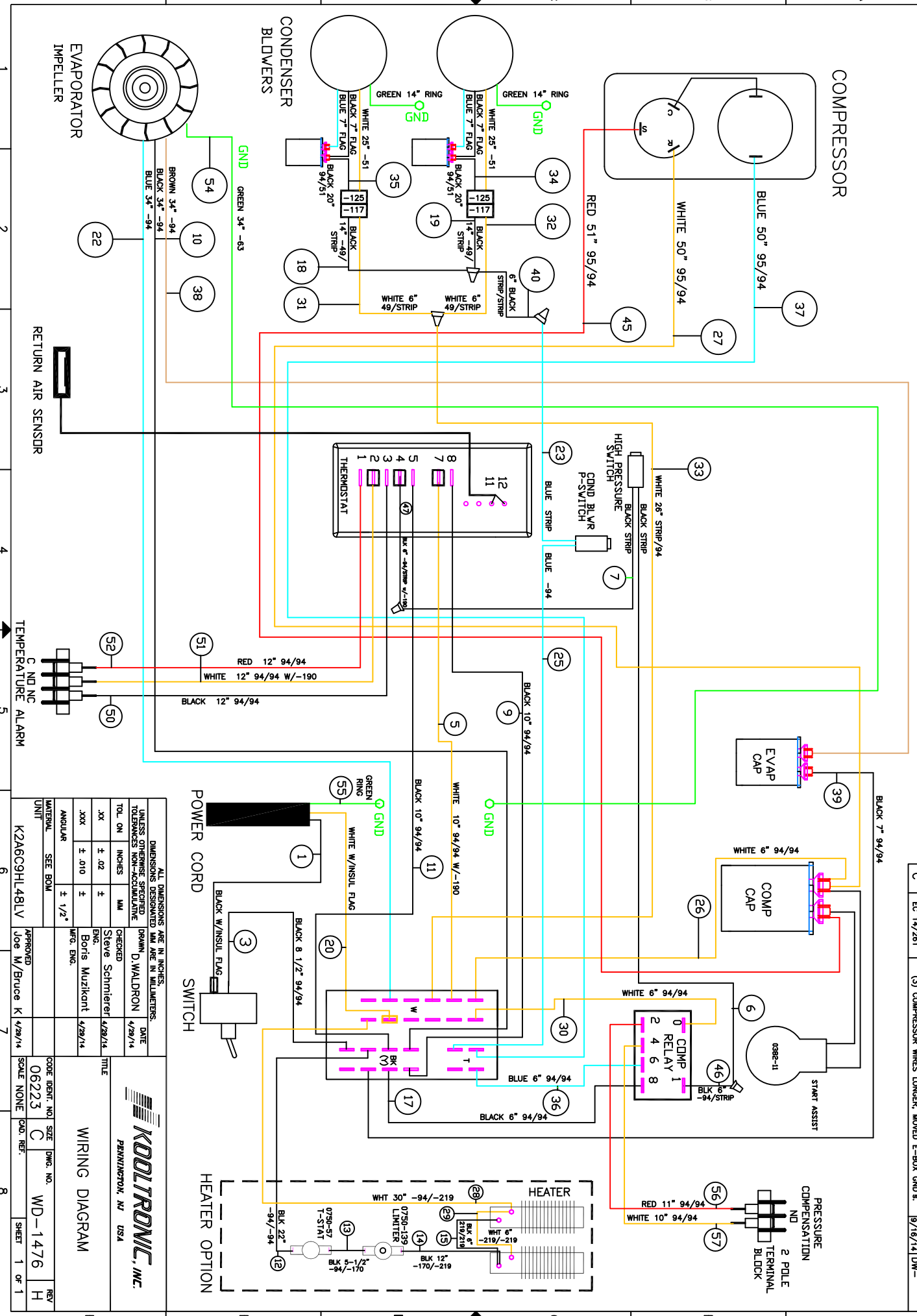


THIS DOCUMENT IS THE PROPERTY OF KOOLTRONIC, INC. AND CONTAINS PROPRIETARY AND CONFIDENTIAL INFORMATION WHICH MUST NOT BE DUPLICATED, USED OR DISCLOSED OTHER THAN AS EXPRESSLY AUTHORIZED BY KOOLTRONIC, INC.

REV	DATE	APPROVED	DESCRIPTION	NOTICE	DATE	REV
D	EC 14/4/31		ADDED (2) PRESSURE SWITCH EXTENSION WIRES #46 & #47		10/22/14	JS
E	EC 14/2/93		WIRE CHANGE: TEMPERATURE ALARM WAS COOLING EFFECT DETECTOR		10/22/14	JS
F	EC 15/0/22		ADDED PRESSURE COMPENSATION TERMINAL BLOCK AND WIRES		3/28/19	JS
G	EC 19/0/80		REMOVED ALARM AND BLOWER RELAYS, ADDED ADDITIONAL PRESS SWITCH		2/29/19	JS/SDS
H	EC 19/2/46		REMOVED (1) T-STAT AND SENSOR, ADDED NEW T-STAT AND WIRES ADD W/-190 TO WIRES 5,47,51		6/5/19	CM/JS
C	EC 14/2/81		(3) COMPRESSOR WIRES LONGER, MOVED E-BOX GND's		9/16/14	DW-
A	4/29/14	DW-	NEW DRAINING RELEASE			
B	6/15/14	SRS/MEU/	ADDED MODEL/NOTICES TO TITLE BLOCK			
	7/21/14	DW-	REMOVED 115V UNIT K2A6C9H148LV			



1 2 3 4 5 6 7 8

**KOOLTRONIC, INC.**  
PERMINENTON, NJ USA

**WIRING DIAGRAM**

APPROVED: Joe M. Bruce K 4/29/14

SCALE: NONE

CODE IDENT. NO. 06223

SIZE C

DWG. NO. WD-1476

REV. H

SHEET 1 OF 1

ALL DIMENSIONS ARE IN INCHES. DIMENSIONS DESIGNATED MM ARE IN MILLIMETERS. UNLESS OTHERWISE SPECIFIED TOLERANCES NON-ACCUMULATIVE

TOL. ON	INCHES	MM	CHECKED	DATE
.XX	± .02	±	Steve Schmitter	4/29/14
.XXX	± .010	±	Boris Muzikant	4/29/14
ANGULAR	± 1/2°		MFG. ENG.	